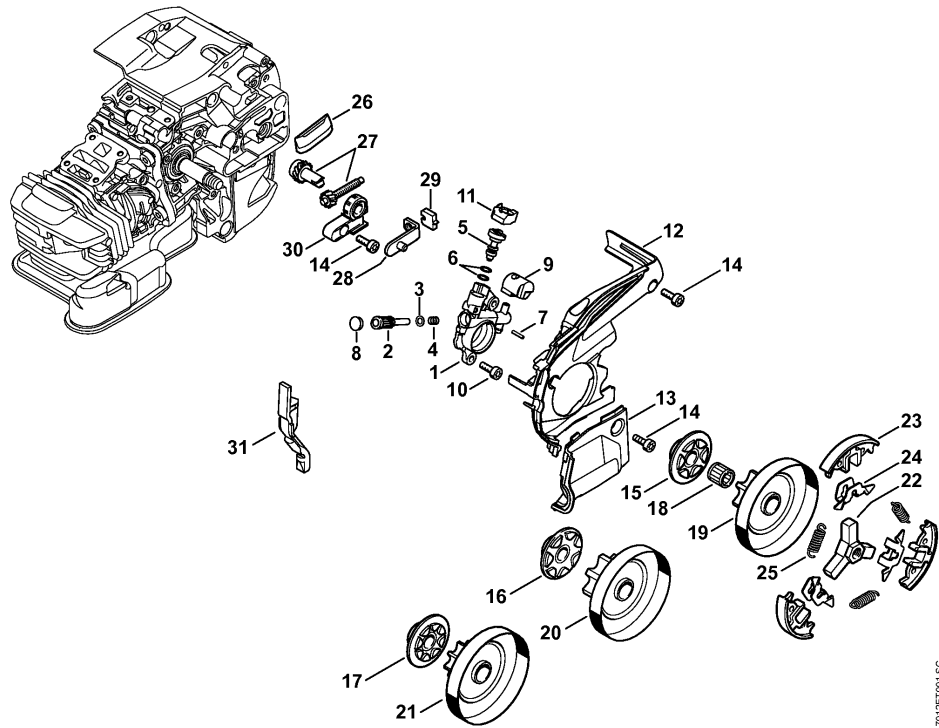


7012ET0001 SC

Reference	Item number	Qty	Description
26	1145 140 0600	1	Muffler (1,3)
30	9022 341 0983	2	Spline screw IS-M5x16
31	1129 664 0500	1	Bumper spike
32	1145 656 7700	1	Chain catcher
33	9022 341 0980	2	Spline screw IS-M5x16
	1145 007 1600	1	Set of gaskets □ 10, 15, 18

(1) MS 201 T, (2) MS 201 T-Z, (3) MS 201 TC-E

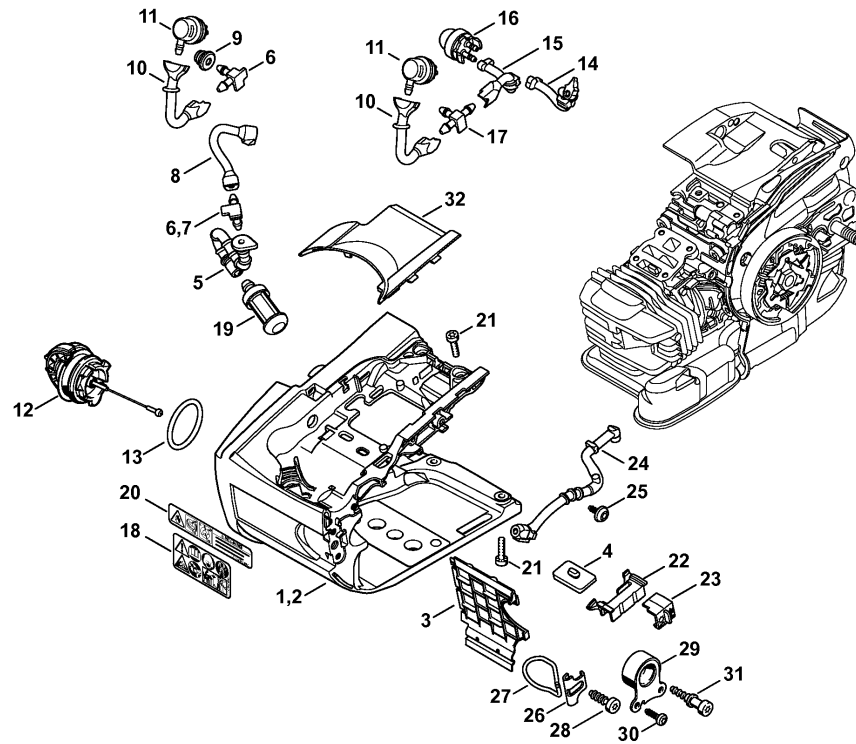
Drawing B Oil pump, Clutch



Drawing B Oil pump, Clutch

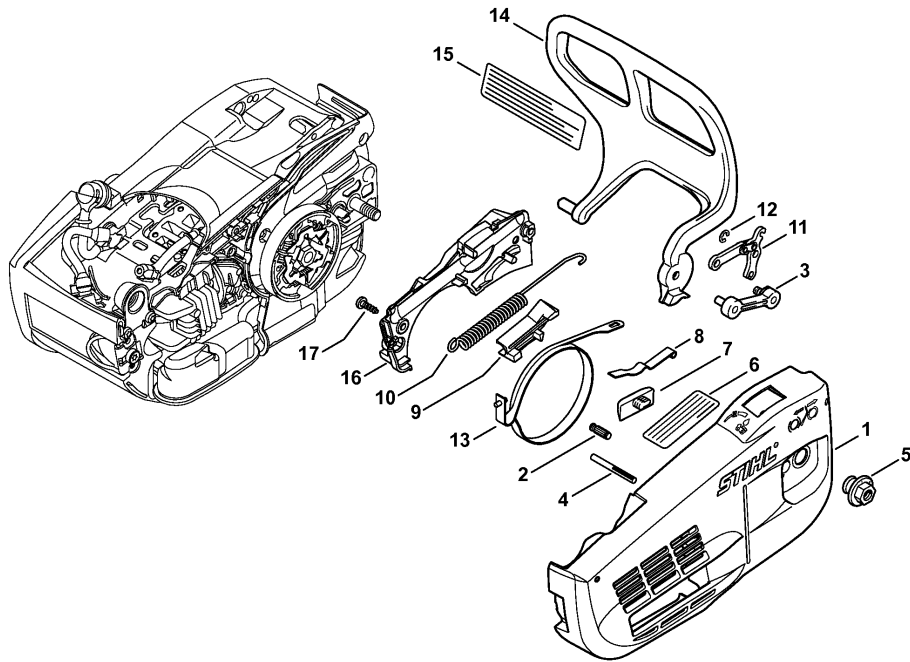
Reference	Item number	Qty	Description
1	1145 640 3200	1	Oil pump □ 2 - 9
2	1129 647 0600	1	Pump piston
3	0000 958 0407	1	Washer
4	0000 997 0617	1	Compression spring
5	1145 647 4800	1	Control bolt
6	9646 945 0160	2	O-ring 4x2
7	9380 620 1090	1	Roll pin 2x10
8	1129 647 7000	1	Plug
9	1129 647 5701	1	Connector
10	9022 346 0658	2	Spline screw IS-M4x12
11	1145 647 9100	1	Grommet
12	1145 021 1100	1	Cover
13	1145 021 1102	1	Cover
14	9022 313 0660	4	Spline screw IS-M4x12
15	1129 640 7100	1	Worm 3/8" Picco 6T
16	1129 640 7101	1	Worm 3/8" Picco 7T (B)
17	1129 640 7102	1	Worm 1/4" 8T (B)
18	9512 933 2270	1	Needle cage 10x13x13
19	1145 640 2010	1	Chain sprocket 3/8" Picco 6T □ 31
20	1145 640 2050	1	Set of spur sprocket/worm 3/8" Picco 7T (B) □ 16, 31
	1145 640 2051	1	Set of spur sprocket/worm 1/4" Picco 8T (B) □ 17, 21, 31
21	1145 640 2011	1	Chain sprocket 1/4" 8T (B) □ 31
22	1137 160 2000	1	Clutch □ 23 - 25
23	1137 162 0800	3	Clutch shoe
24	1121 162 3000	3	Retainer
25	0000 997 5625	3	Tension spring
26	1123 648 6600	2	Bumper strip
27	1129 007 1000	1	Spur gear / chain adjusting screw kit
28	1129 640 1900	1	Tensioner slide
29	1123 664 1400	1	Thrust pad
30	1123 664 2200	1	Cover
31	1145 893 5900	1	Locking strip (B)

(1) MS 201 T, (2) MS 201 T-Z, (3) MS 201 TC-E



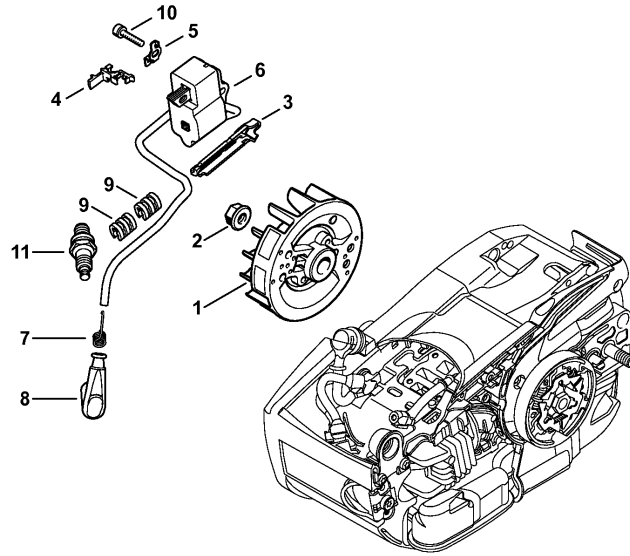
Reference	Item number	Qty	Description
1	1145 350 0811	1	Tank housing (1,2) □ 3 - 6, 8 - 13, 18, 19
3	1145 351 4000	1	Insulating plate
4	1129 352 5500	1	Clamp
5	1141 358 7708	1	Hose
6	1145 122 3900	2	Elbow connector (1,2)
8	1145 358 7704	1	Hose
9	1141 989 0600	1	Grommet
10	1145 358 7706	1	Hose
11	0000 350 5802	1	Tank vent
12	0000 350 0534	1	Filler cap □ 13
13	9645 948 7734	1	O-ring 25x3.5
18	0000 967 4036	1	Warning pictogram
19	0000 350 3500	1	Pickup body
21	9022 313 0680	4	Spline screw IS-M4x16
22	1145 793 3000	1	Slide
23	1145 793 3002	1	Slide
24	1145 141 8600	1	Hose
25	9104 003 2960	1	Self-tapping screw P4x10
26	1129 352 7700	1	Bracket
27	1129 352 5000	1	Loop
28	9074 478 4435	1	Pan head self-tapping screw IS-P6x19
29	1129 790 9900	1	Annular buffer
30	9104 003 3004	2	Self-tapping screw P4x14
31	1129 791 6100	1	Screw
32	1145 352 3000	1	Cover

(1) MS 201 T, (2) MS 201 T-Z, (3) MS 201 TC-E



Reference	Item number	Qty	Description
1	1145 640 1704	1	Chain sprocket cover □ 2 - 5
2	1120 162 5200	1	Pin
3	1129 640 5000	1	Insert
4	9378 543 2220	1	Notched pin 5x40
5	0000 995 0800	1	Collar nut M8
7	1123 648 6600	1	Bumper strip
8	1129 162 7800	1	Flat spring
9	1145 162 6600	1	Limit stop
10	1145 162 7900	1	Tension spring
11	1121 160 5000	1	Lever
12	9460 624 0400	1	E-clip 4
13	1145 160 5400	1	Brake band
14	1145 792 9100	1	Hand guard
16	1145 648 7700	1	Cover
17	9104 003 3004	2	Self-tapping screw P4x14

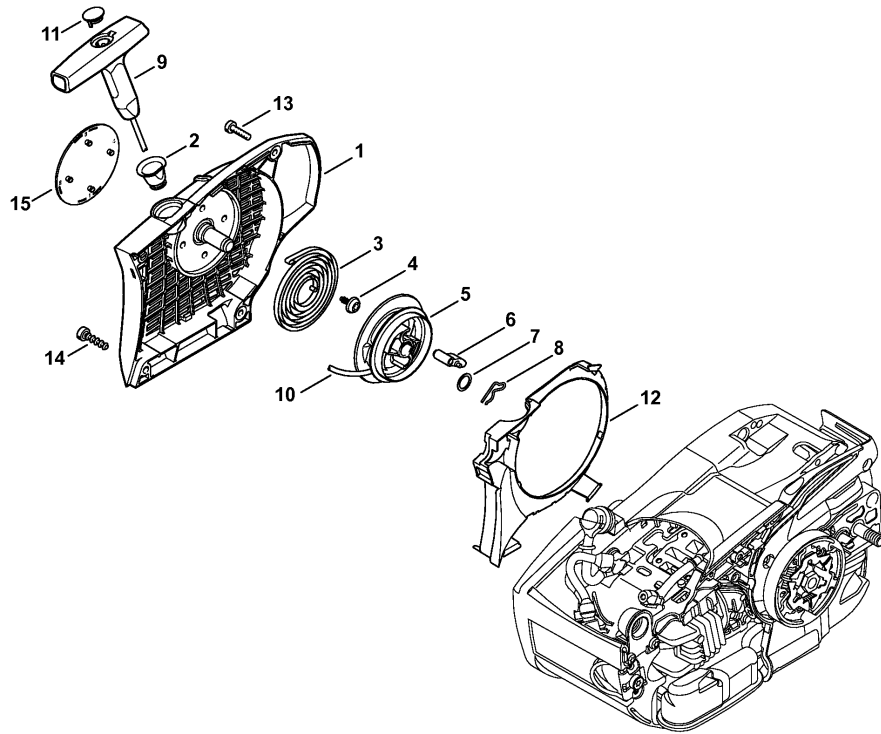
(1) MS 201 T, (2) MS 201 T-Z, (3) MS 201 TC-E



7012ET004 SC

Reference	Item number	Qty	Description
1	1145 400 1200	1	Flywheel (25.2005)
2	0000 955 0802	1	Collar nut M8x1
3	1145 021 1700	1	Cover
4	0000 448 1204	1	Lead retainer
5	1145 431 2100	1	Connector tag
6	1145 400 1310	1	Ignition module □ 7 - 9
7	0000 998 0604	1	Torsion spring
8	0000 405 1004	1	Spark plug boot
9	1130 448 1201	2	Lead retainer
10	9022 341 0710	2	Spline screw IS-M4x20
11	0000 400 7011	1	Spark plug NGK CMR6H

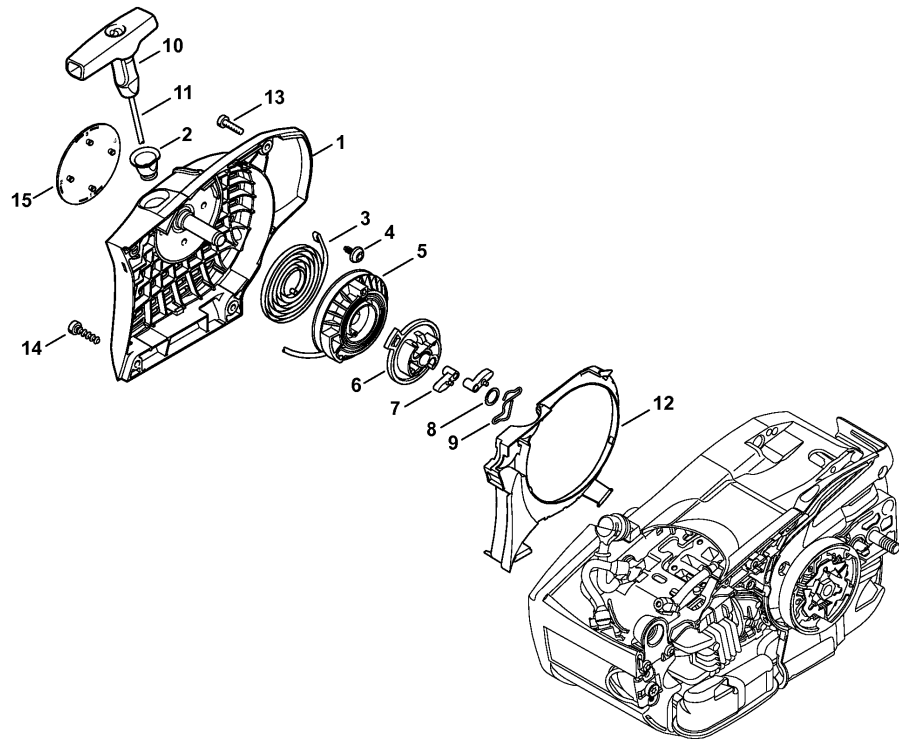
(1) MS 201 T, (2) MS 201 T-Z, (3) MS 201 TC-E



70142ETW05 SC

Reference	Item number	Qty	Description
	1145 080 2100	1	Fan housing with rewind starter (1,2) □ 1 - 12
1	1145 080 1800	1	Fan housing (1,2) □ 2
2	1110 084 9102	1	Bushing (1,2)
3	1123 190 0600	1	Rewind spring (1,2)
4	9104 003 2960	1	Self-tapping screw P4x10 (1,2)
5	1123 195 0400	1	Rope rotor (1,2)
6	1125 195 7200	1	Pawl (1,2)
7	0000 958 0923	1	Washer (1,2)
8	1118 195 3500	1	Spring (1,2)
9	0000 190 3409	1	Starter grip ElastoStart Ø 3 mm (1,2) □ 10, 11
10	0000 195 8205	1	Starter rope Ø 3x750 mm (1,2)
	0000 930 2208	1	Starter rope Ø 3 mm x 30.5 m (B) (1,2)
11	0000 195 7001	1	Cap (1,2)
12	1145 084 7800	1	Segment (1,2)
13	9022 313 0680	2	Spline screw IS-M4x16 (1,2)
14	9074 477 4130	2	Pan head self-tapping screw IS-P5x16 (1,2)
15	1145 967 1500	1	Model plate MS 201 T (1,2)

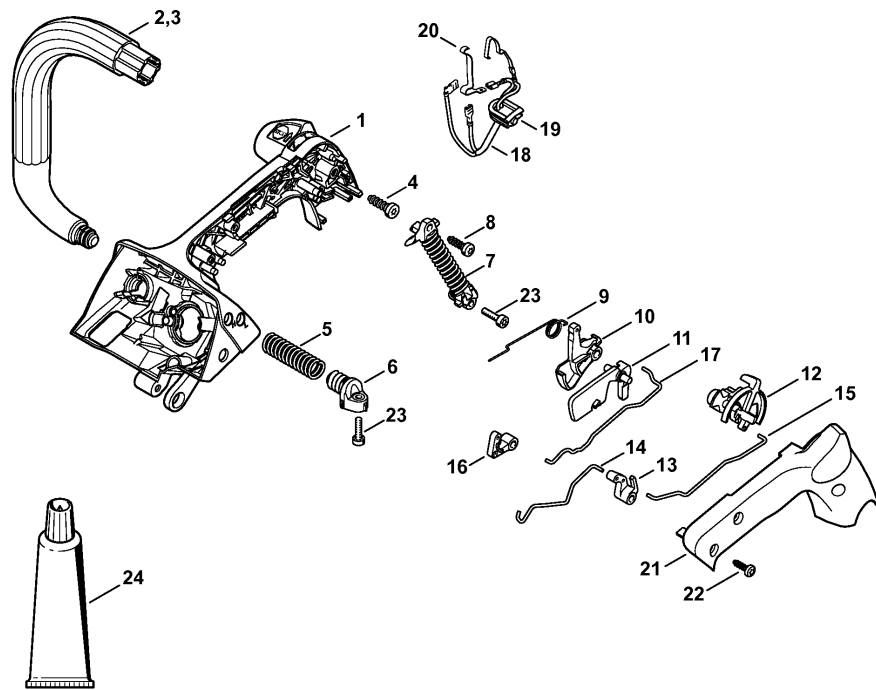
(1) MS 201 T, (2) MS 201 T-Z, (3) MS 201 TC-E



70142ET1005 SC

Reference	Item number	Qty	Description
-----------	-------------	-----	-------------

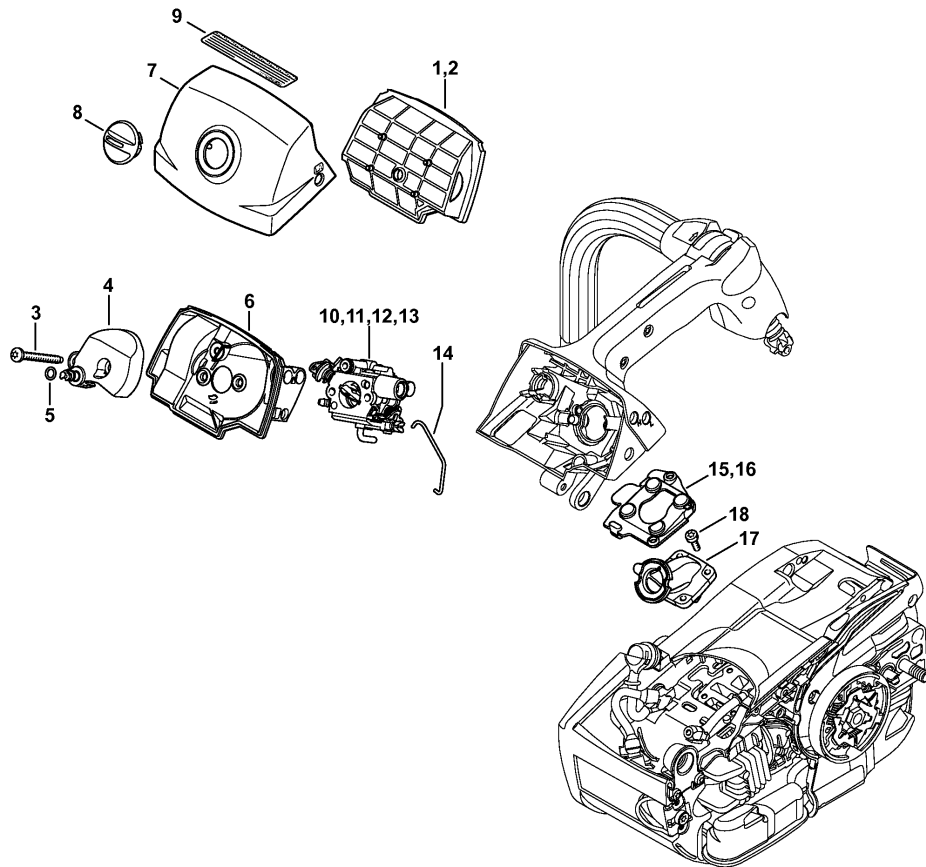
(1) MS 201 T, (2) MS 201 T-Z, (3) MS 201 TC-E



70142ET1007 SC

Reference	Item number	Qty	Description
	1145 790 1016	1	Handle housing (1,2) □ 1, 2, 4 - 22
1	1145 790 1014	1	Handle housing
2	1145 791 1700	1	Handlebar (1,2)
4	9074 478 4425	1	Pan head self-tapping screw IS-P6x19
5	1137 791 3101	1	Spring
6	1145 790 3800	1	Bearing plug
7	1145 790 8302	1	AV-Spring
8	9074 477 4130	1	Pan head self-tapping screw IS-P5x16
9	1129 182 4500	1	Torsion spring
10	1145 182 1000	1	Throttle trigger
11	1129 182 0801	1	Lockout lever
12	1145 180 0900	1	Switch shaft
13	1145 182 0402	1	Double lever
14	1145 185 1900	1	Choke rod
15	1145 185 1902	1	Choke rod
16	1145 182 0400	1	Double lever
17	1145 182 1502	1	Throttle rod
18	1145 440 3000	1	Wiring harness □ 19, 20
19		1	Grommet (D)
20	1129 442 1600	1	Contact spring
21	1145 791 0600	1	Handle molding
22	9104 003 3004	3	Self-tapping screw P4x14
23	9022 313 0679	2	Spline screw IS-M4x16
24	0781 120 1109	1	Gear lubricant 80 g (B) (53.2008)

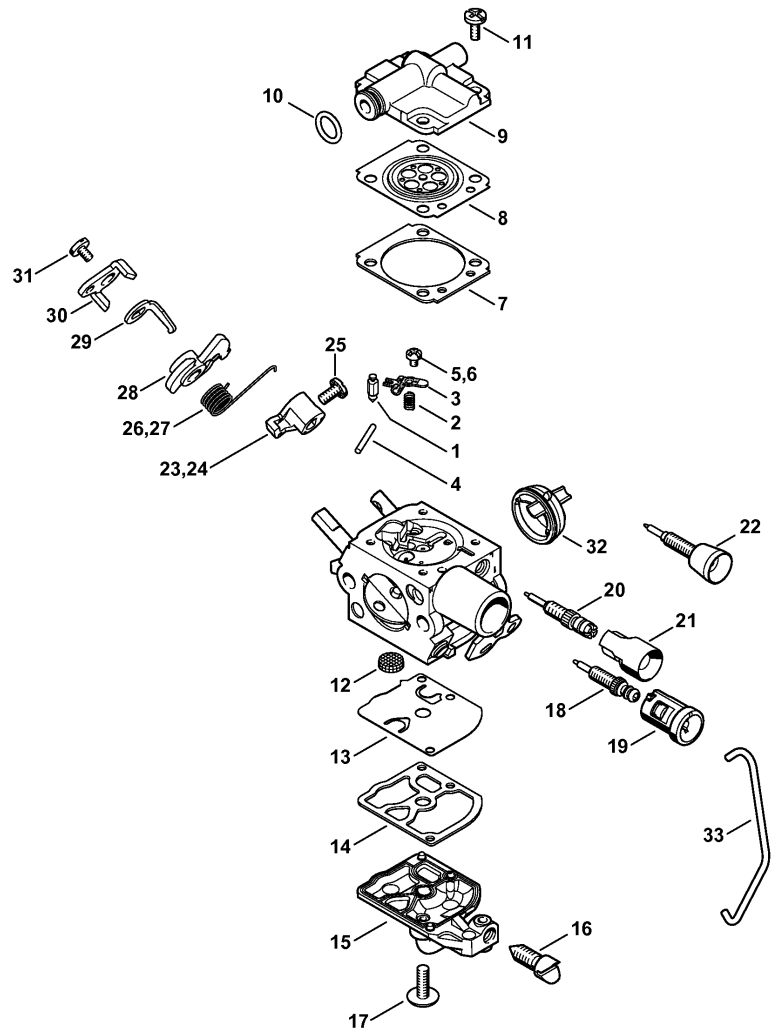
(1) MS 201 T, (2) MS 201 T-Z, (3) MS 201 TC-E



7012ET07.SC

Reference	Item number	Qty	Description
1	1145 140 4400	1	Air filter, fleece
2	1145 140 4402	1	Air filter (B)
3	9022 500 1093	2	Spline screw IS-M5x44
4	1145 120 4100	1	Baffle □ 5
5	9645 945 7444	1	O-ring 4x1.5
6	1145 141 0900	1	Filter base
7	1145 140 1900	1	Carburetor box cover □ 8
8	1137 140 9200	1	Twist lock
10	1145 120 0608	1	Carburetor C1Q-S250 (1,2)
12	* 1145 120 0650	1	Carburetor C1Q-S248 (1,2) (40.2012) □ 14
14	1145 182 1503	1	Throttle rod
15	1145 353 7000	1	Cover (1,2)
17	1145 140 2502	1	Manifold
18	9022 313 0660	4	Spline screw IS-M4x12

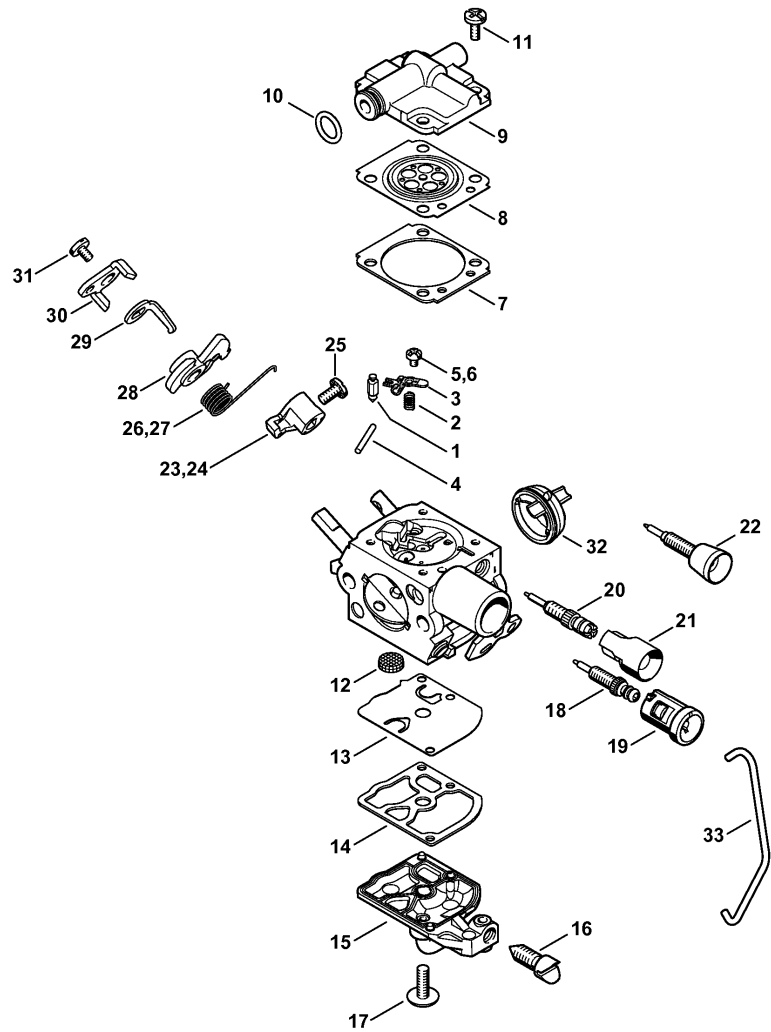
(1) MS 201 T, (2) MS 201 T-Z, (3) MS 201 TC-E



7012ETW05SC

Reference	Item number	Qty	Description
	1145 120 0608	1	Carburetor C1Q-S250 (1,2) □ 1-5,7-21,23,25,26,28-32
*	1145 120 0650	1	Carburetor C1Q-S248 (1,2) (40.2012) □ 1-5,7-19,22,23,25,26,28-33
*	1145 120 0604	1	Carburetor C1Q-S214 (C) (1,2) (40.2012) □ 1-5,7-19,22,24,25,27-32
*	1145 120 0600	1	Carburetor C1Q-S188 (C) (1,2) (39.2011) □ 1-4,6-19,22,24,25,27-32
1	4116 121 5100	1	Inlet needle (1,2)
2	1145 122 3000	1	Spring (1,2)
3	1125 121 5000	1	Inlet control lever (1,2)
4	1120 121 9200	1	Spindle (1,2)
5	0000 122 7101	1	Screw (1,2)
6	* 4241 122 6600	1	Collar screw (1,2) (39.2011)
7	1145 129 0900	1	Gasket (1,2)
8	1145 121 4700	1	Metering diaphragm (1,2)
9	1145 121 0800	1	End cover (1,2)
10	9646 945 0490	1	O-ring 7x1.5 (1,2)
11	1120 122 6601	4	Collar screw (1,2)
12	1123 121 7800	1	Strainer (1,2)
13	1129 121 4800	1	Pump diaphragm (1,2)
14	1123 129 0905	1	Gasket (1,2)
15	1145 120 2600	1	Pump cover (1,2)
16	1145 122 6200	1	Idle speed adjustment screw (1,2)
17	1120 122 7800	1	Oval head screw (1,2)
18	1145 122 6700	1	High speed adjustment screw (1,2)
19	1141 121 2704	1	Cap (1,2)
20	1145 120 6800	1	Low speed adjustment screw (1,2) □ 21
21	0000 121 2703	1	Cap (1,2)
22	* 4228 122 6801	1	Low speed adjustment screw (1,2) (40.2012)
23	1145 121 3501	1	Throttle lever (1,2)
24	* 1145 121 3500	1	Throttle lever (1,2) (40.2012)
25	4132 122 6600	1	Collar screw (1,2)
26	1145 122 3201	1	Torsion spring (1,2)

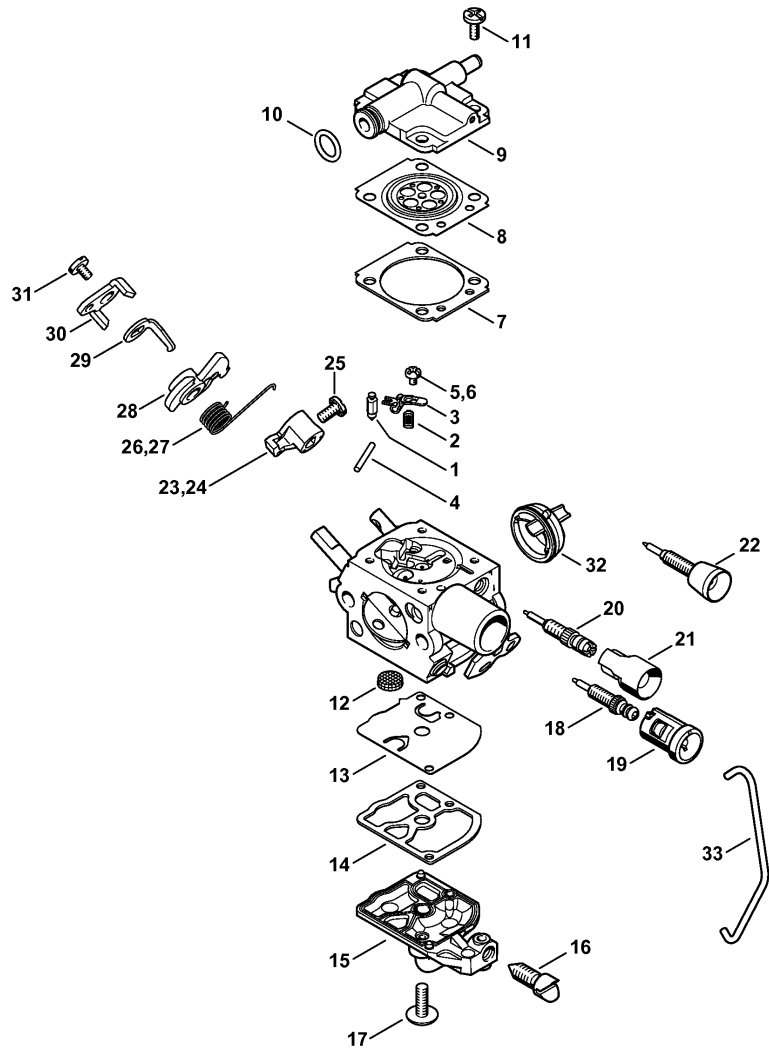
(1) MS 201 T, (2) MS 201 T-Z, (3) MS 201 TC-E



7012ETW05 SC

Reference	Item number	Qty	Description
27	* 1145 122 3200	1	Torsion spring (1,2) (40.2012)
28	1145 123 0800	1	Detent lever (1,2)
29	1145 121 6600	1	Lever (1,2)
30	1145 121 6601	1	Lever (1,2)
31	1139 122 7101	1	Screw (1,2)
32	1145 141 1800	1	Sleeve (1,2)
33	1145 182 1503	1	Throttle rod (1,2)
	1145 007 1700	1	Set of carburetor parts (1,2) □ 7, 8, 13, 14

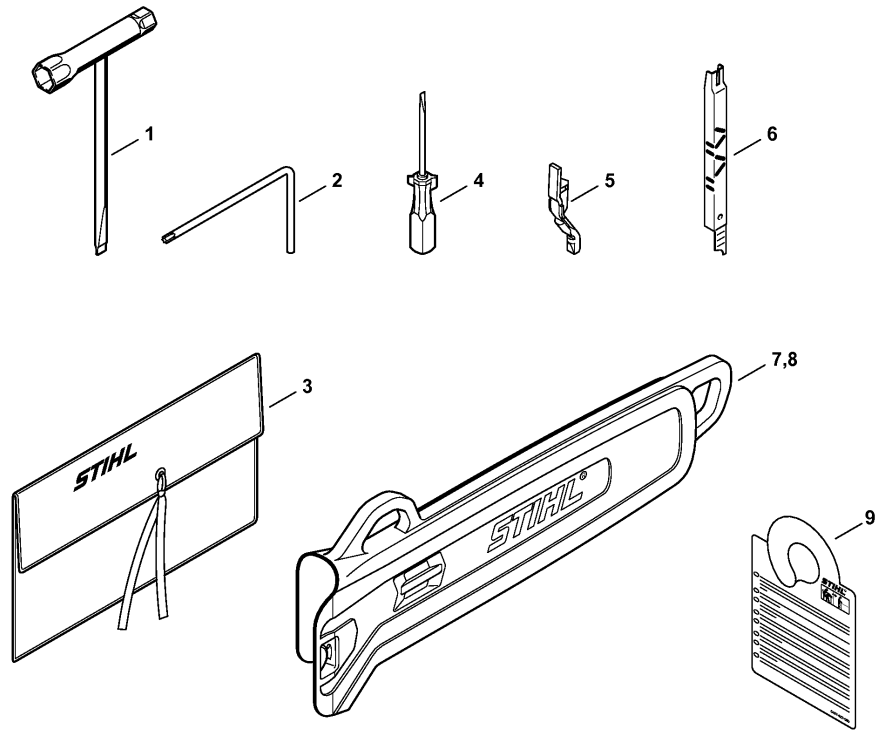
(1) MS 201 T, (2) MS 201 T-Z, (3) MS 201 TC-E



7012ET0165C

Reference	Item number	Qty	Description
-----------	-------------	-----	-------------

(1) MS 201 T, (2) MS 201 T-Z, (3) MS 201 TC-E



7014ZET014 SC

Reference	Item number	Qty	Description
	1145 890 1400	1	Tool kit □ 1 - 4
1	0000 890 3402	1	Combination wrench
2	0812 370 1000	1	Screwdriver T27x120x70
3	0000 891 0810	1	Tool roll
4	0000 890 2300	1	Screwdriver
5	1145 893 5900	1	Locking strip (B)
6	1110 893 4000	1	Filing gauge (B)
7	0000 792 9160	1	Chain scabbard Tophandle 35 cm
8	0000 792 9161	1	Chain scabbard Tophandle 40 cm
9	0457 927 0000	1	Tag

(1) MS 201 T, (2) MS 201 T-Z, (3) MS 201 TC-E