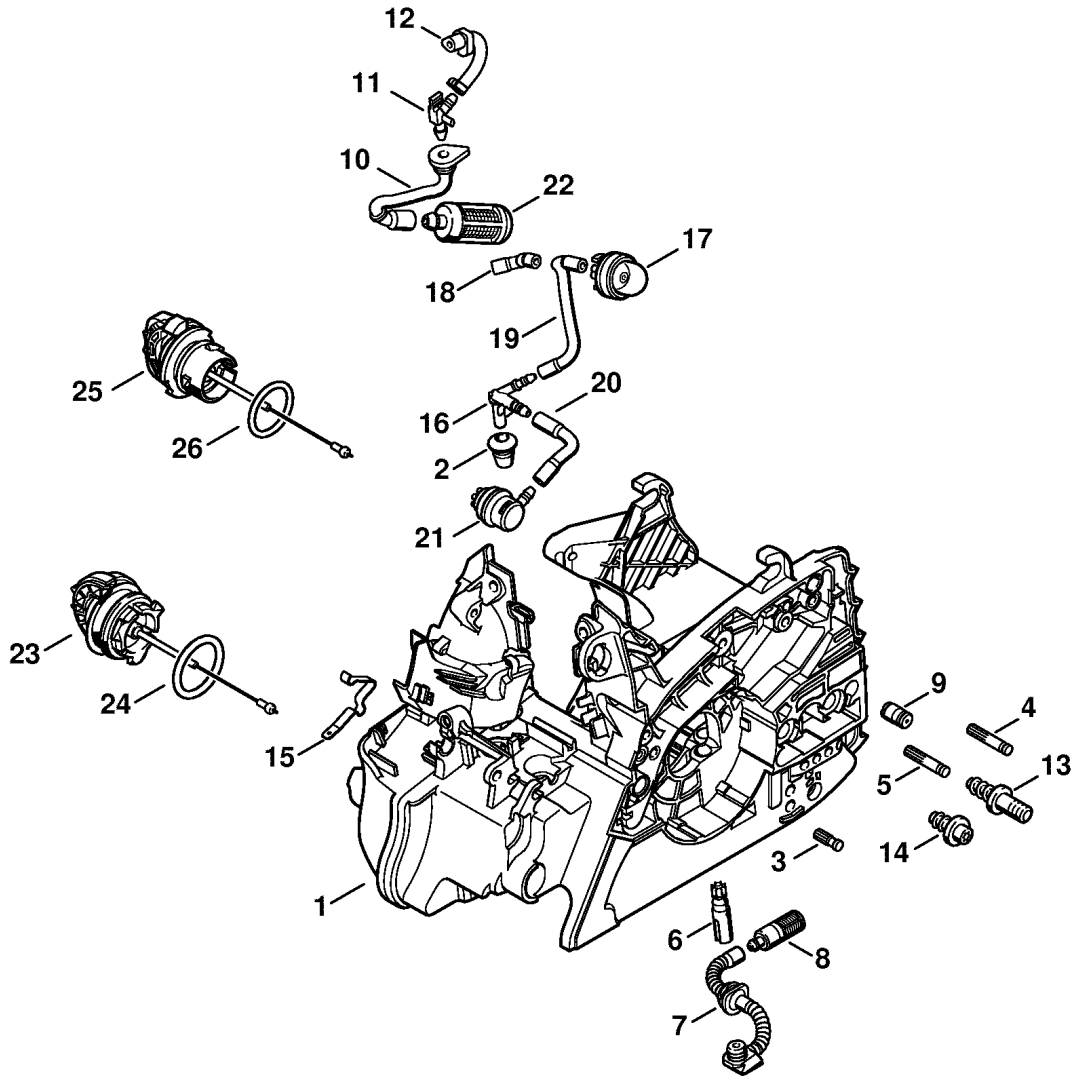


533ET009 SC

Reference	Item number	Qty	Description
1	1139 020 3000	1	Engine housing (1,3) □ 2 - 18
2	0000 989 0608	1	Grommet (1,3)
3	1120 162 5200	1	Pin (1,3)
4	1123 162 5200	1	Pin (1,3)
5	1123 162 5205	1	Pin (1,3)
6	1123 640 3200	1	Oil pump 0.55 (1,3)
7	1139 647 4000	1	Oil hose (1,3)
8	1123 640 3800	1	Pickup body (1,3)
9	1128 640 9100	1	Valve (1,3)
10	1139 358 7700	1	Hose (1,3)
11	1139 122 3900	1	Elbow connector (1,3)
12	1139 358 7704	1	Hose (1,3)
13	1123 664 2400	1	Collar screw (1,3)
14	1123 664 2402	1	Collar screw (1,3)
15	1139 442 1600	1	Contact spring (1,3)
16	1139 353 2700	1	Connector (1,3)
17		1	Hose 3.1x5.7x67 mm (D) (1,3)
	0000 930 2803	1	Hose 3.1x5.7 mm x 1 m (A,B) (1,3)
18	0000 350 5802	1	Tank vent (1,3)
19	0000 350 3500	1	Pickup body (1,3)
20	0000 350 0525	1	Filler cap (1,3) □ 21
21	9645 948 7734	1	O-ring 25x3.5 (1,3)
22	0000 350 0526	1	Filler cap (1,3) □ 23
23	9645 948 2470	1	O-ring 23x3 (1,3)

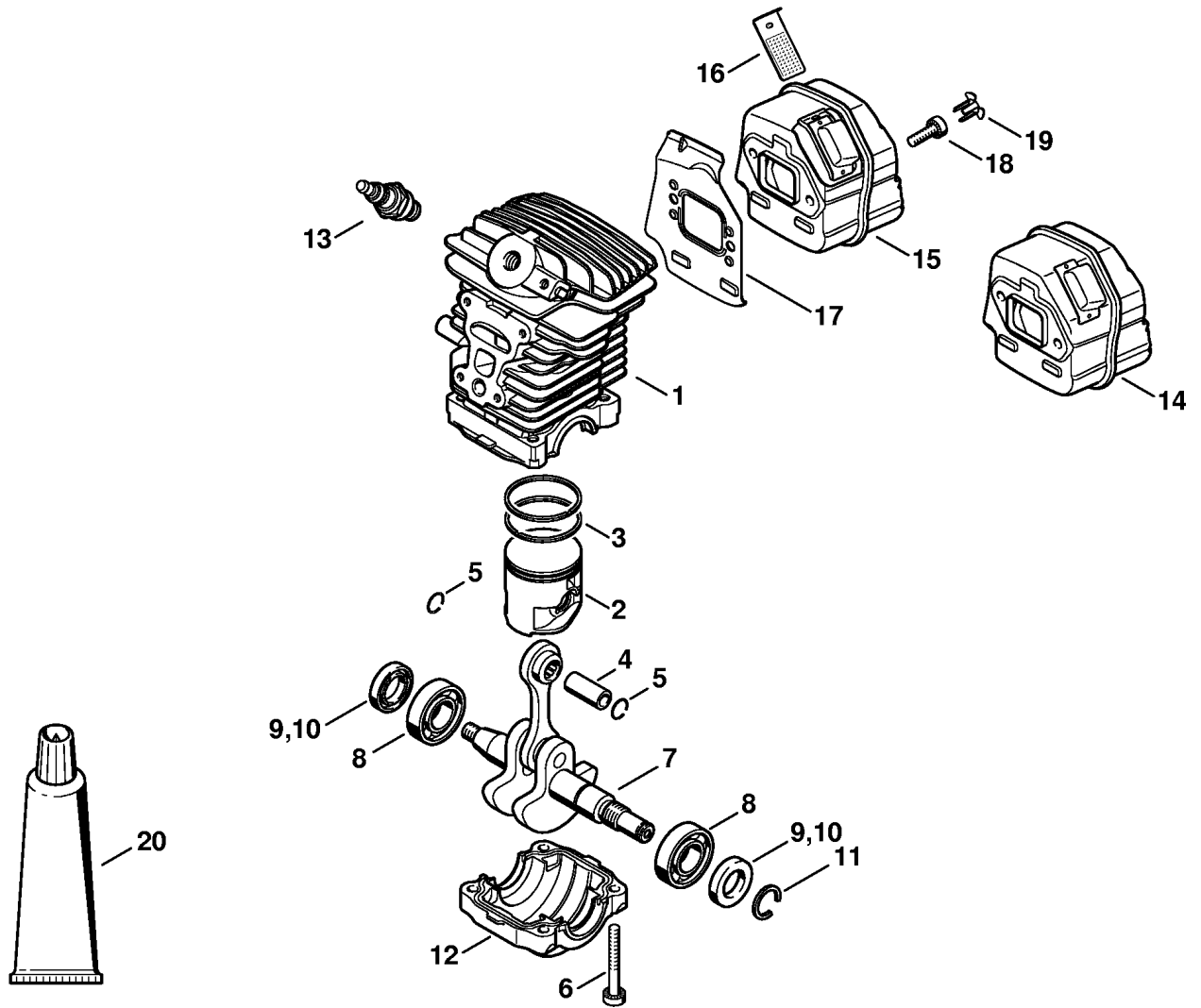
(1) MS 181, (2) MS 181 C-BE, (3) MS 181-Z, (4) MS 181 C-BE Z



534ET010 SC

Reference	Item number	Qty	Description
1	1139 020 3001	1	Engine housing (2,4) □ 2 - 21
2	0000 989 0608	1	Grommet (2,4)
3	1120 162 5200	1	Pin (2,4)
4	1123 162 5200	1	Pin (2,4)
5	1123 162 5205	1	Pin (2,4)
6	1123 640 3200	1	Oil pump 0.55 (2,4)
7	1139 647 4000	1	Oil hose (2,4)
8	1123 640 3800	1	Pickup body (2,4)
9	1128 640 9100	1	Valve (2,4)
10	1139 358 7700	1	Hose (2,4)
11	1139 122 3900	1	Elbow connector (2,4)
12	1139 358 7704	1	Hose (2,4)
13	1123 664 2400	1	Collar screw (2,4)
14	1123 664 2402	1	Collar screw (2,4)
15	1139 442 1600	1	Contact spring (2,4)
16	1139 353 2701	1	Connector (2,4)
17	4130 350 6200	1	Fuel pump (2,4)
18		1	Hose 2.2x5.4x38 mm (D) (2,4)
19		1	Hose 2.2x5.4x98 mm (D) (2,4)
	0000 930 2802	1	Hose 2.2x5.4 mm x 1 m (A,B) (2,4)
20		1	Hose 3.1x5.7x67 mm (D) (2,4)
	0000 930 2803	1	Hose 3.1x5.7 mm x 1 m (A,B) (2,4)
21	0000 350 5802	1	Tank vent (2,4)
22	0000 350 3500	1	Pickup body (2,4)
23	0000 350 0525	1	Filler cap (2,4) □ 24
24	9645 948 7734	1	O-ring 25x3.5 (2,4)
25	0000 350 0526	1	Filler cap (2,4) □ 26
26	9645 948 2470	1	O-ring 23x3 (2,4)

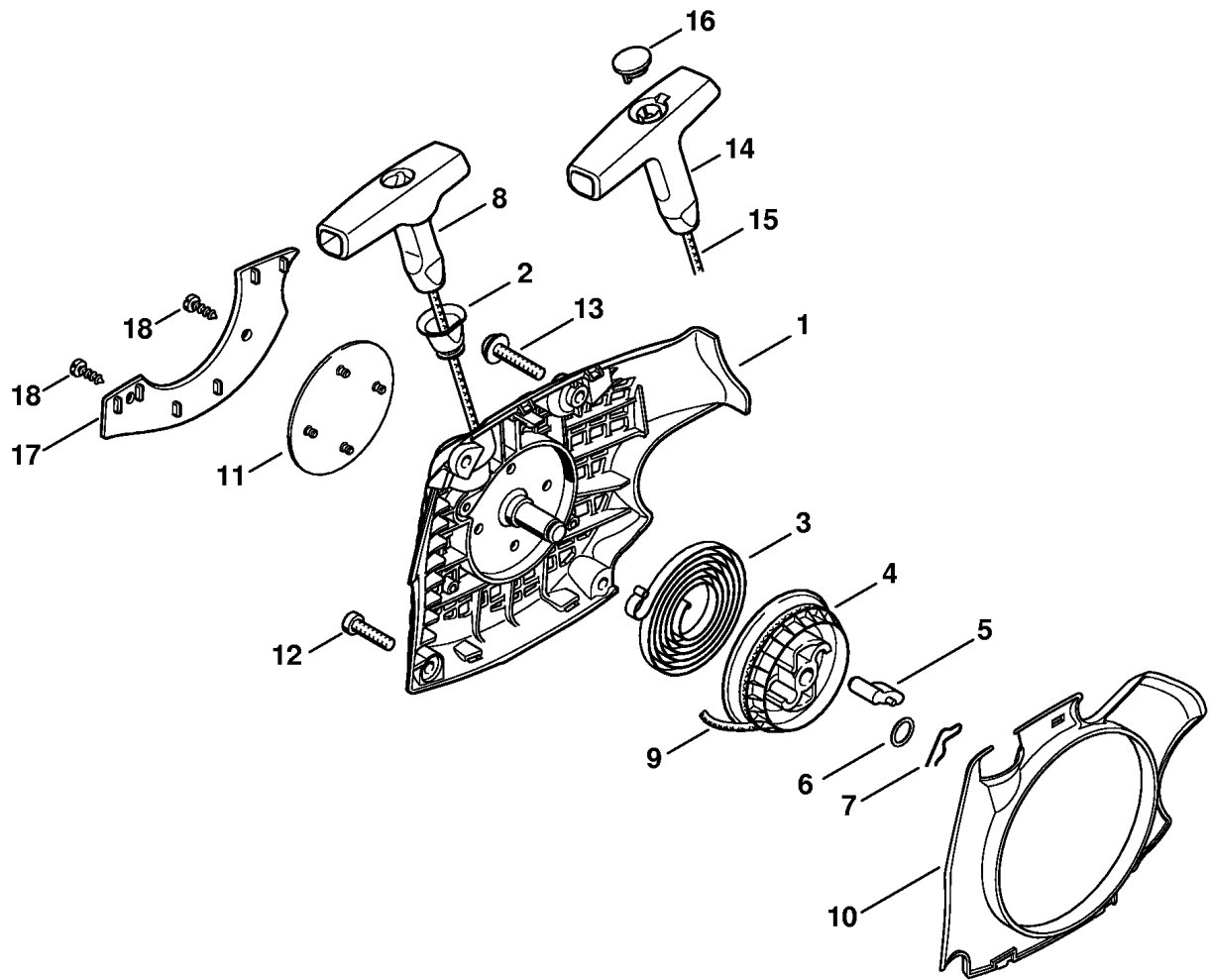
(1) MS 181, (2) MS 181 C-BE, (3) MS 181-Z, (4) MS 181 C-BE Z



534ET001 SC

Reference	Item number	Qty	Description
1	1139 020 1201	1	Cylinder with piston Ø 38 mm □ 2 - 6
2	1139 030 2002	1	Piston Ø 38 mm □ 3 - 5
3	1130 034 3002	2	Piston ring Ø 38x1.2 mm
4	1139 034 1500	1	Piston pin 10x6.5x23
5	9463 650 1000	2	Snap ring 10
6	9075 478 4195	4	Pan head self-tapping screw IS-D5.3x41
7	1139 030 0401	1	Crankshaft (25.2005)
8	9503 003 0312	2	Grooved ball bearing 6002
9	9638 003 1581	2	Oil seal 15x25x5 (20.2007)
10	9639 003 1585	2	Oil seal 15x25x5 (20.2007)
11	9468 621 1520	1	Circlip 15x1
12	1139 021 2503	1	Engine pan
13	0000 400 7011	1	Spark plug NGK CMR6H
14	1139 140 0602	1	Muffler (1,2)
15	1139 140 0601	1	Muffler (3,4) USA, AUS, CDN □ 16
16	1139 141 9000	1	Screen (3,4) USA, AUS, CDN
17	1139 141 3201	1	Cooling plate
18	9075 478 4085	2	Pan head self-tapping screw IS-D5x18
19	1135 145 9002	2	Plug
20	0783 830 2000	1	Tube of sealant Dirko HT red

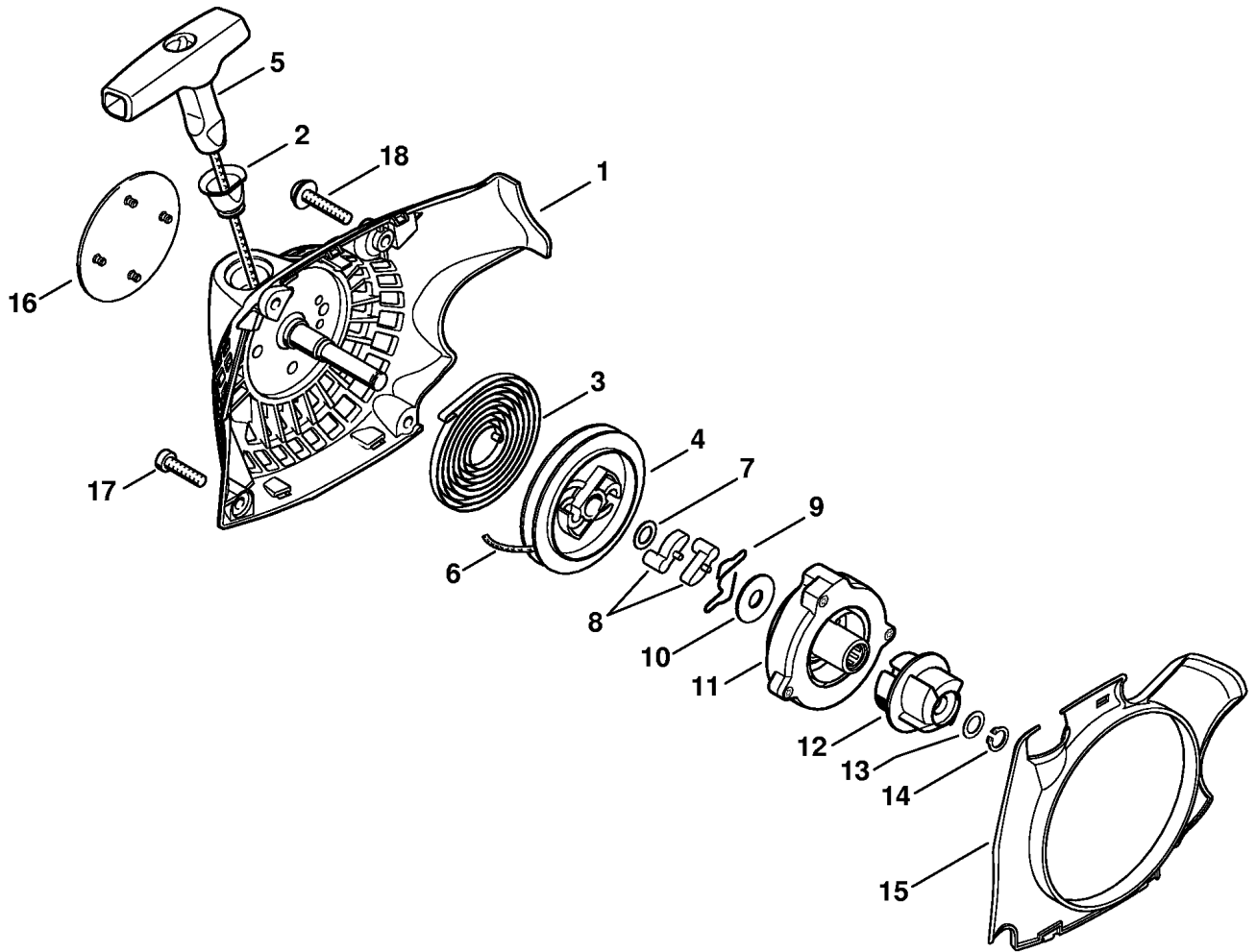
(1) MS 181, (2) MS 181 C-BE, (3) MS 181-Z, (4) MS 181 C-BE Z



533ET002 SC

Reference	Item number	Qty	Description
	1139 080 2102	1	Fan housing with rewind starter (1,3) □ 1 - 11
1	1139 080 1802	1	Fan housing (1,3) □ 2
2	1110 084 9102	1	Bushing (1,3)
3	1129 190 0601	1	Rewind spring (1,3)
4	1123 195 0400	1	Rope rotor (1,3)
5	1125 195 7200	1	Pawl (1,3)
6	0000 958 0923	1	Washer (1,3)
7	1118 195 3500	1	Spring (1,3)
8	1121 195 3400	1	Starter grip (1,3)
9	0000 195 8203	1	Starter rope Ø 3x850 mm (1,3)
10	1139 084 7800	1	Segment (1,3)
11	1139 967 1501	1	Model plate MS 181 (1,3)
12	9074 477 4135	3	Pan head self-tapping screw IS-P5x20 (1,3)
13	9074 477 4139	1	Pan head self-tapping screw IS-P5x25 (1,3)
14	0000 190 3402	1	Starter grip ElastoStart Ø 3 mm (B) (1,3) □ 15, 16
15	0000 195 8200	1	Starter rope Ø 3x800 mm (B) (1,3)
16	0000 195 7001	1	Cap (B) (1,3)
	1139 007 1001	1	Cover plate kit (B) (1,3) □ 17, 18
17	1139 084 8200	1	Cover plate (B) (1,3)
18	9099 021 2770	2	Self-tapping screw 3.9x13 (B) (1,3)

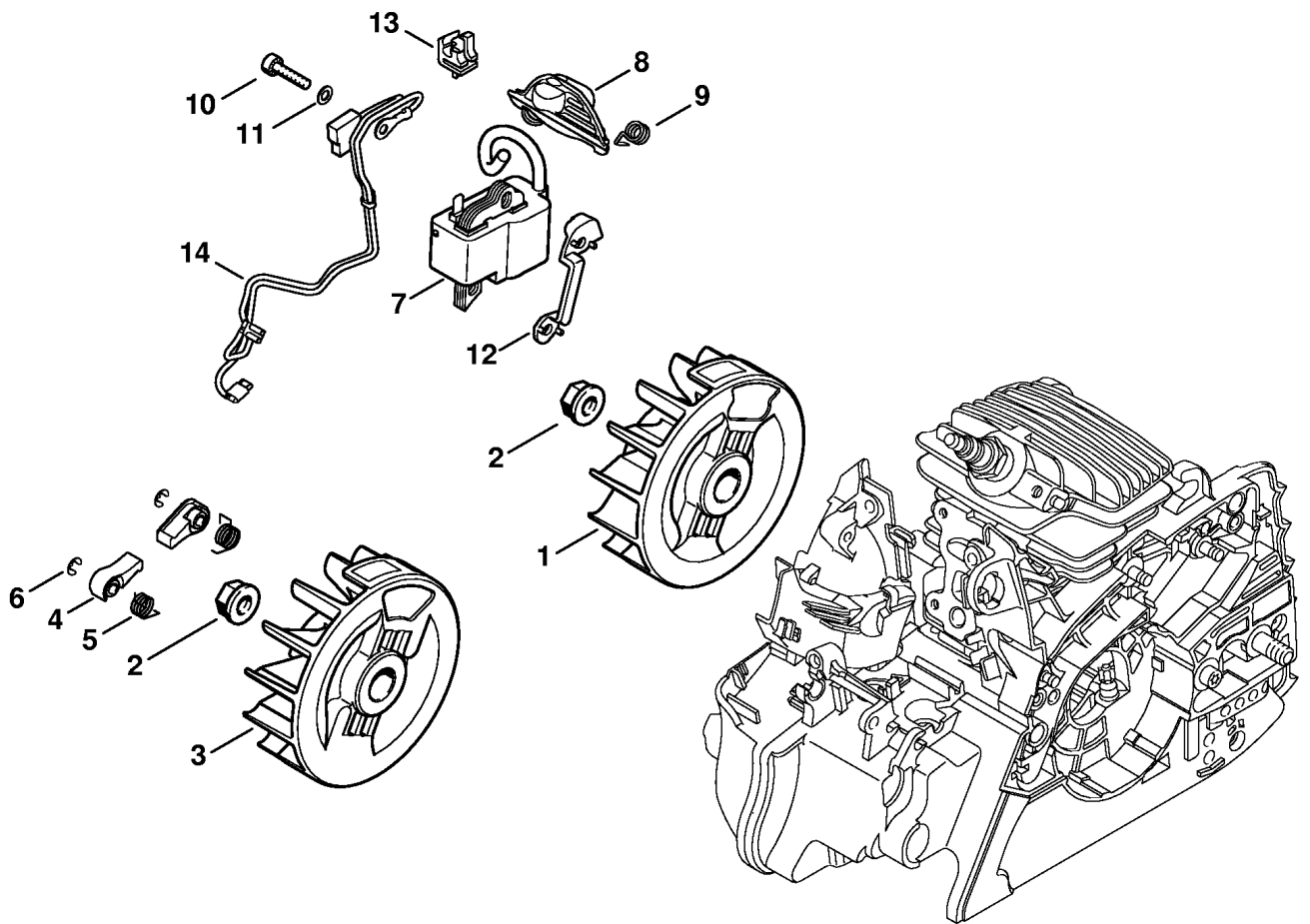
(1) MS 181, (2) MS 181 C-BE, (3) MS 181-Z, (4) MS 181 C-BE Z



53MET002 SC

Reference	Item number	Qty	Description
	1139 080 2103	1	Fan housing with rewind starter (2,4) □ 1 - 16
1	1139 080 1803	1	Fan housing (2,4) □ 2
2	1110 084 9102	1	Bushing (2,4)
3	1123 190 0600	1	Rewind spring (2,4)
4	1123 195 0401	1	Rope rotor (2,4)
5	1121 195 3400	1	Starter grip (2,4)
6	4137 195 8200	1	Starter rope Ø 2.7x910 mm (2,4)
	0000 930 2281	1	Starter rope Ø 2.7 mm x 30.8 m (A,B) (2,4)
7	0000 958 0923	1	Washer (2,4)
8	1123 195 7200	2	Pawl (2,4)
9	1128 195 3500	1	Spring (2,4)
10	1123 195 9001	1	Washer (2,4)
11	1139 190 0700	1	Spring housing (2,4)
12	1139 195 2000	1	Carrier (2,4)
13	0000 958 0806	1	Washer (2,4)
14	9455 621 0570	1	Circlip 8x0.8 (2,4)
15	1139 084 7800	1	Segment (2,4)
16	1139 967 1502	1	Model plate MS 181 C (2,4)
17	9074 477 4135	3	Pan head self-tapping screw IS-P5x20 (2,4)
18	9074 477 4139	1	Pan head self-tapping screw IS-P5x25 (2,4)

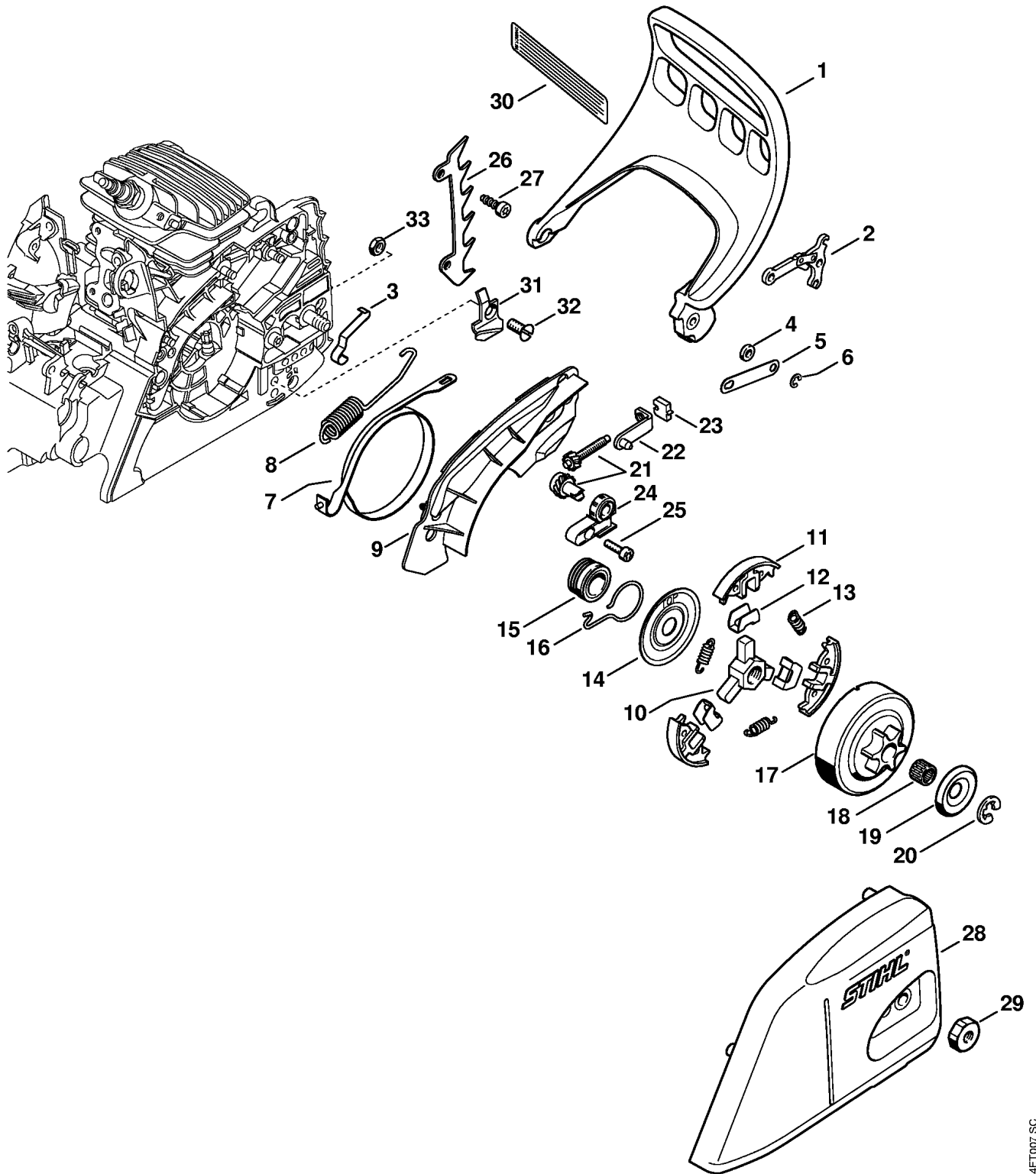
(1) MS 181, (2) MS 181 C-BE, (3) MS 181-Z, (4) MS 181 C-BE Z



534ET003 SC

Reference	Item number	Qty	Description
1	1139 400 1201	1	Flywheel (1,3) (25.2005)
2	0000 955 0802	1	Collar nut M8x1
3	1139 400 1203	1	Flywheel (2,4) (25.2005) □ 4 - 6
4	1139 195 7200	2	Pawl (2,4)
5	0000 998 1100	2	Torsion spring (2,4)
6	9460 624 0320	2	E-clip 3.2 (2,4)
7	1139 400 1307	1	Ignition module □ 8, 9
8	0000 405 1003	1	Spark plug boot
9	0000 998 0618	1	Torsion spring
10	9075 478 3018	2	Pan head self-tapping screw IS-D4x18
11	9291 021 0100	1	Washer 4.3
12	1139 405 8000	1	Insulator
13	1139 448 1200	1	Lead retainer
14	1139 440 3000	1	Wiring harness

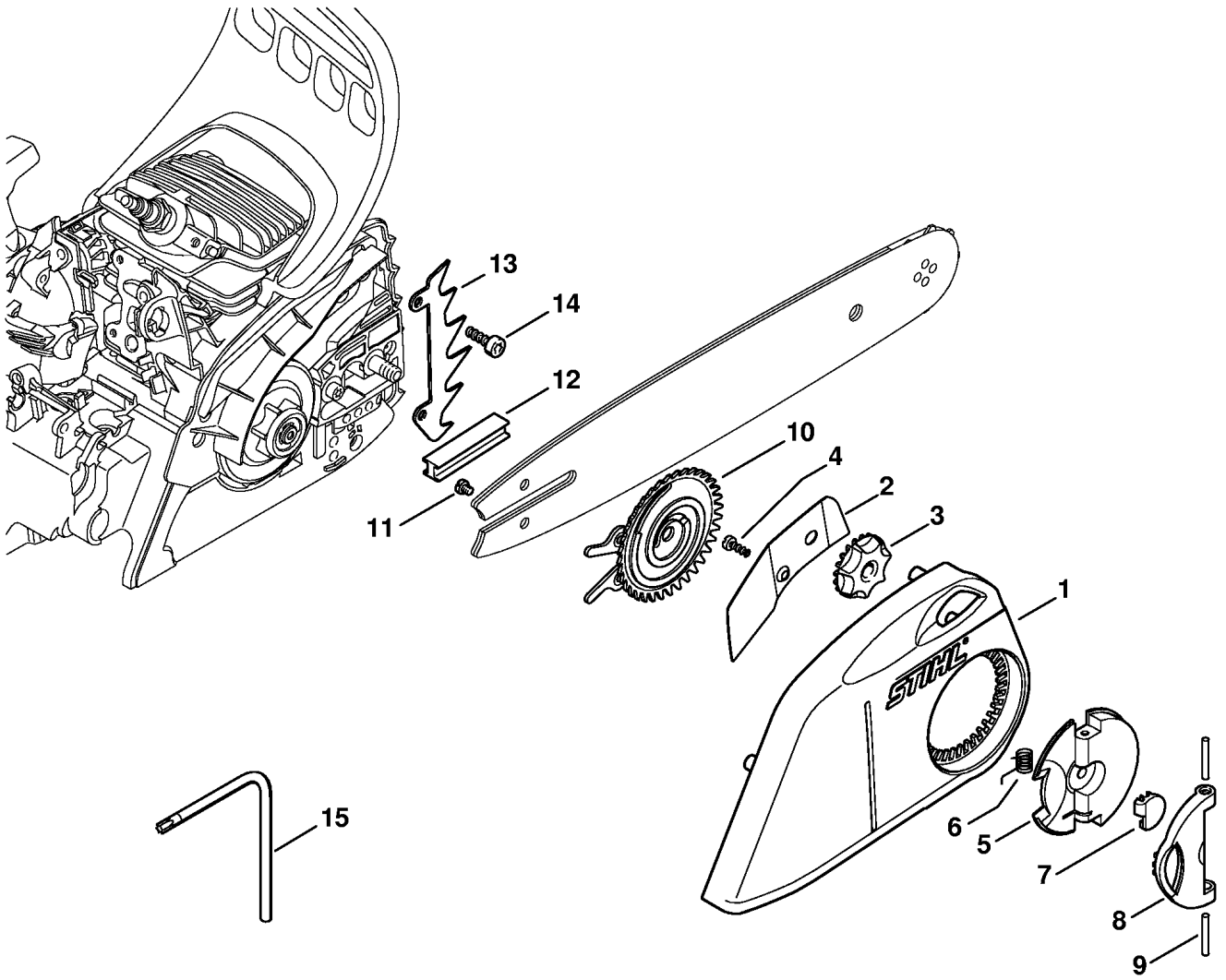
(1) MS 181, (2) MS 181 C-BE, (3) MS 181-Z, (4) MS 181 C-BE Z



5341ET007 SC

Reference	Item number	Qty	Description
1	1139 792 9100	1	Hand guard
2	1121 160 5000	1	Lever
3	1123 162 7800	1	Flat spring
4	0000 958 0521	1	Washer
5	1123 162 5800	1	Strap
6	9460 624 0400	1	E-clip 4
7	1139 160 5400	1	Brake band
8	1139 162 7900	1	Tension spring
9	1139 021 1100	1	Cover
	1139 160 2000	1	Clutch □ 10 - 13
10	1121 162 3201	1	Carrier
11	1139 162 0800	3	Clutch shoe
12	1127 162 3000	3	Retainer
13	0000 997 5600	3	Tension spring
14	1121 162 1001	1	Cover washer
15	1123 640 7102	1	Worm □ 16
16	1123 647 2400	1	Spring
17	1123 640 2073	1	Chain sprocket 3/8" Picco 6T
18	9512 933 2260	1	Needle cage 10x13x10
19	0000 958 1022	1	Washer Ø 27 mm
20	9460 624 0801	1	E-clip 8x1.3
	1123 007 1000	1	Chain tensioner kit (B) (1,3) □ 21 - 25
21	1123 007 1004	1	Spur gear / chain adjusting screw kit (1,3)
22	1123 640 1900	1	Tensioner slide (1,3)
23	1123 664 1400	1	Thrust pad (1,3)
24	1123 664 2200	1	Cover (1,3)
25	9075 478 3015	1	Pan head self-tapping screw IS-D4x15 (1,3)
26	1123 664 0500	1	Bumper spike (1,3)
27	9075 478 4115	2	Pan head self-tapping screw IS-D5x16 (1,3)
28	1139 640 1700	1	Chain sprocket cover (1,3)
29	0000 955 0801	1	Hexagon nut M8 (1,3)
30	0000 967 3630	1	Instruction label (3,4) USA
31	1139 650 7700	1	Chain catcher (20.2007) □ 32, 33
32	9062 319 1270	1	Countersunk screw M6x14 (20.2007)
33	9214 320 0900	1	Lock nut M6 (20.2007)

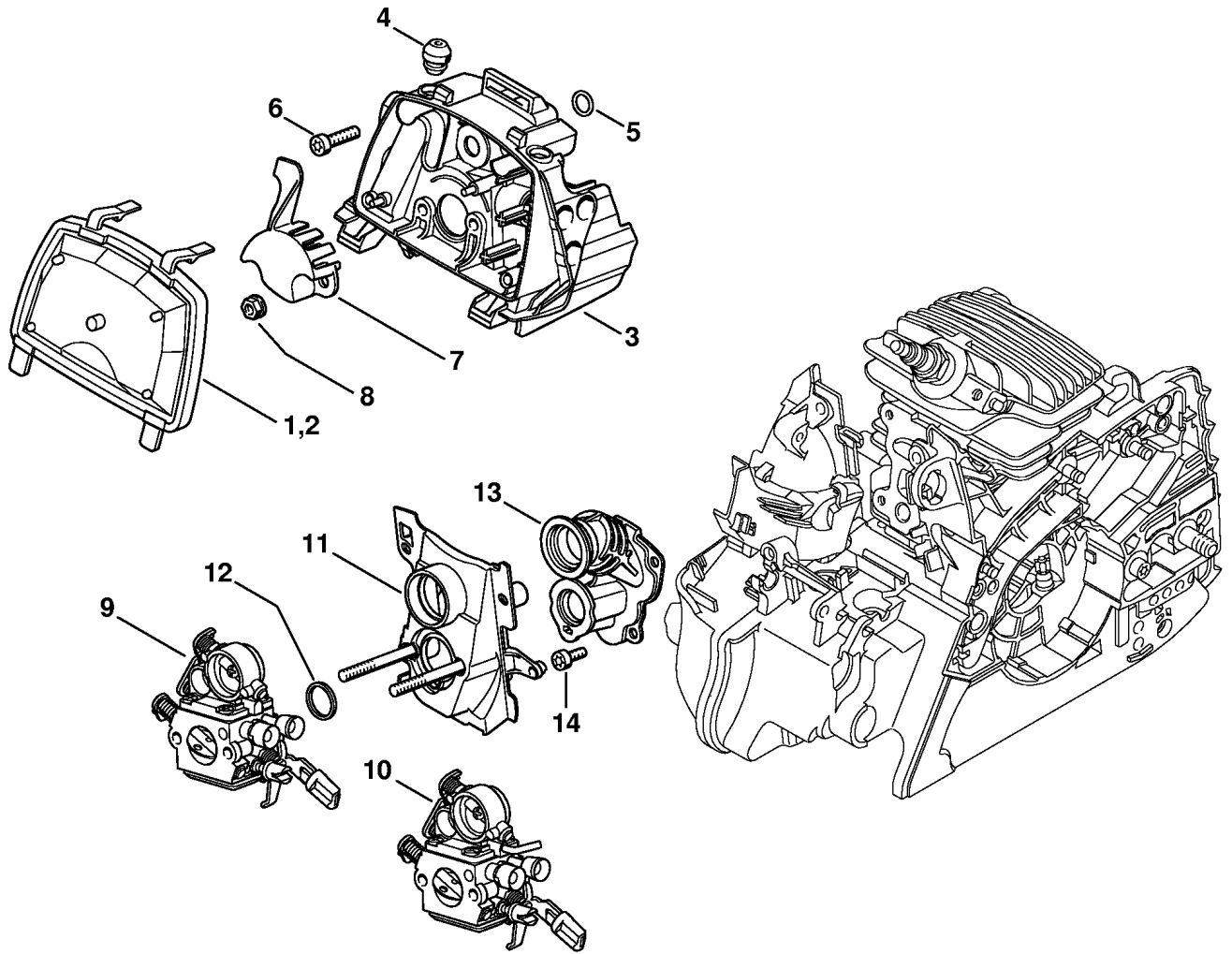
(1) MS 181, (2) MS 181 C-BE, (3) MS 181-Z, (4) MS 181 C-BE Z



534ET005 SC

Reference	Item number	Qty	Description
	1139 007 1000	1	Quick tensioner parts (B) □ 1 - 15
1	1139 640 1701	1	Chain sprocket cover (2,4) □ 2 - 4
2	1139 648 3800	1	Cover plate (2,4)
3	1123 648 2202	1	Adjusting wheel (2,4)
4	9076 478 2996	1	Pan head self-tapping screw P4x12 (2,4)
5	1121 660 1000	1	Wing nut (2,4) □ 6 - 9
6		1	Torsion spring (D) (2,4)
7		1	Cap (D) (2,4)
8		1	Handle (D) (2,4)
9		2	Cylindrical pin 3m6x26 (D) (2,4)
10	1123 660 3001	1	Tensioning gear (2,4) □ 11
11	9041 319 0600	1	Pan head screw M4x5 (2,4)
12	1123 021 2800	1	Insert (2,4)
13	1123 664 0501	1	Bumper spike (2,4)
14	9075 478 4115	2	Pan head self-tapping screw IS-D5x16 (2,4)
15	0812 370 1000	1	Screwdriver T27x120x70 (B)

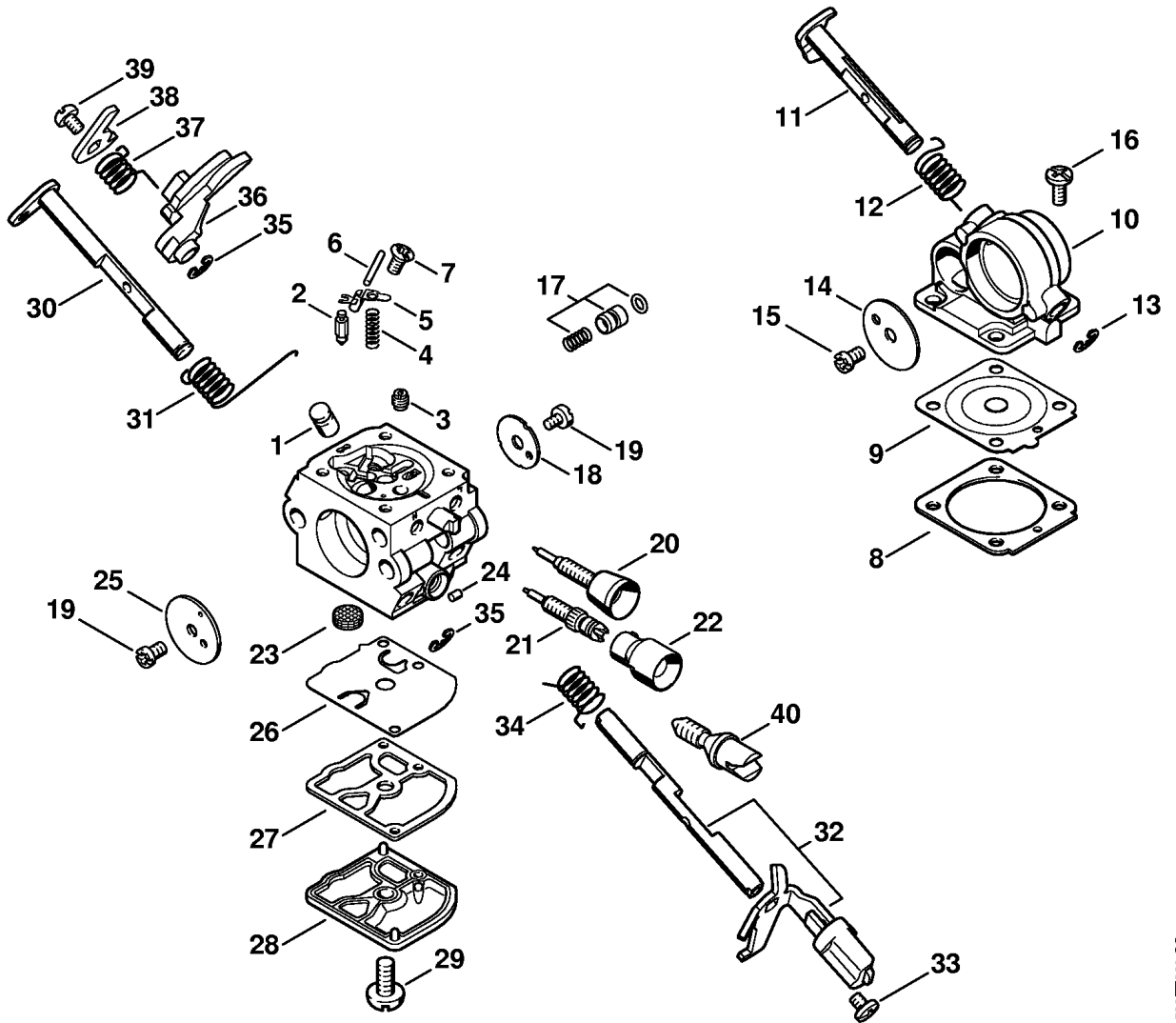
(1) MS 181, (2) MS 181 C-BE, (3) MS 181-Z, (4) MS 181 C-BE Z



534ET006 SC

Reference	Item number	Qty	Description
1	1139 120 1602	1	Air filter, fleece
2	1139 120 1601	1	Air filter (B)
3	1139 120 3401	1	Filter base □ 4, 5
4	1139 791 5900	2	Stop buffer
5	9646 945 0610	1	O-ring 8x1.6
6	9074 477 4135	3	Pan head self-tapping screw IS-P5x20
7	1139 121 6900	1	Baffle
8	9216 261 0700	2	Hexagon nut M5
9	1139 120 0605	1	Carburetor C1Q-S121B (1,3)
10	1139 120 0606	1	Carburetor C1Q-S122B (2,4)
11	1139 120 0900	1	Carburetor bracket
12	1139 141 1801	1	Sleeve
13	1139 140 2500	1	Manifold
14	9075 478 3012	4	Pan head self-tapping screw IS-D4x12

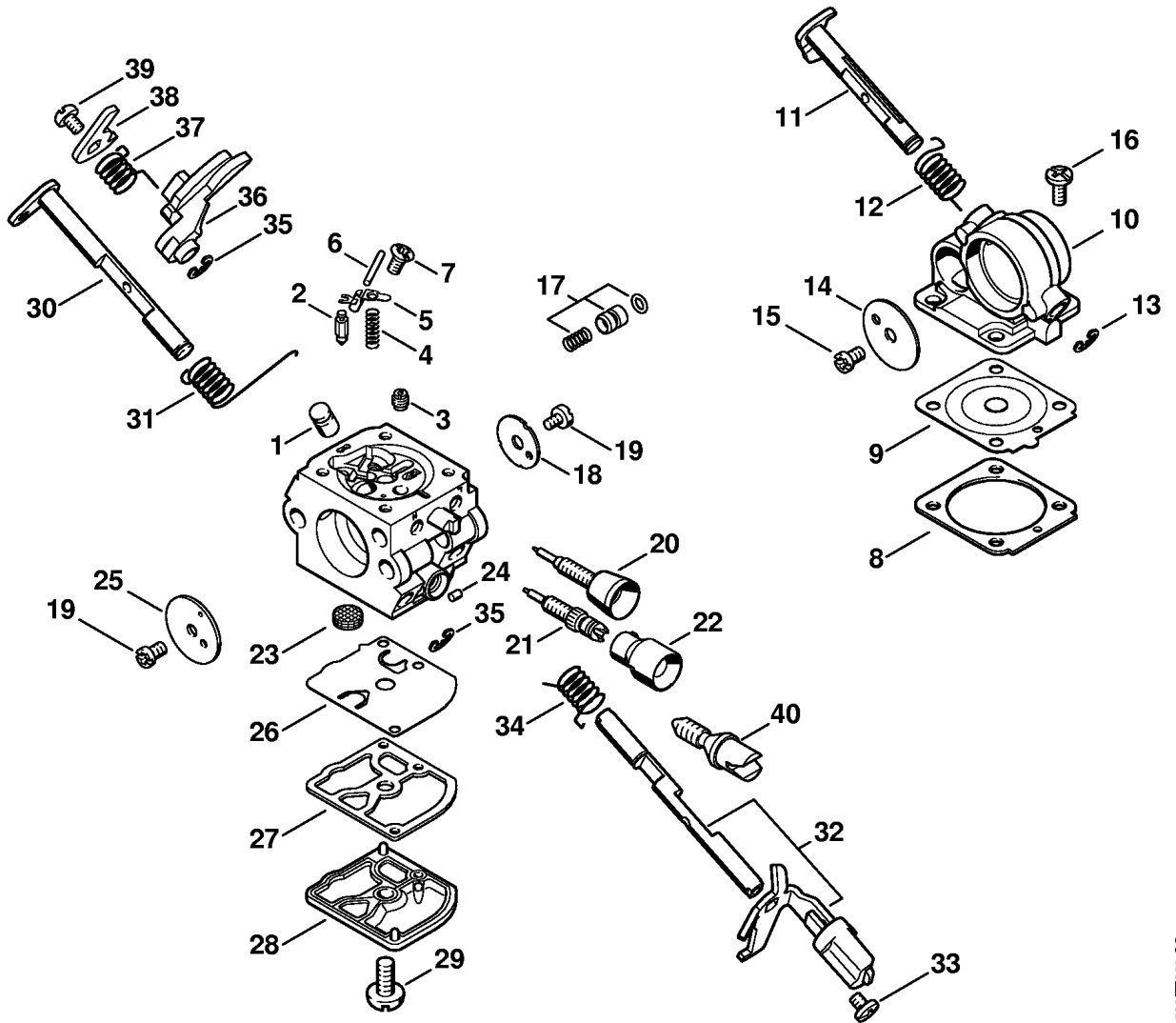
(1) MS 181, (2) MS 181 C-BE, (3) MS 181-Z, (4) MS 181 C-BE Z



533ET008 SC

Reference	Item number	Qty	Description
	1139 120 0605	1	Carburetor C1Q-S121B (1,3) □ 1 - 40
1	1139 121 5400	1	Valve jet (1,3)
2	4116 121 5100	1	Inlet needle (1,3)
3	1132 121 5603	1	Fixed jet 0.50 (1,3)
4	4128 122 3000	1	Spring (1,3)
5	1125 121 5000	1	Inlet control lever (1,3)
6	1120 121 9200	1	Spindle (1,3)
7	1120 122 6600	1	Collar screw (1,3)
8	4229 129 0901	1	Gasket (1,3)
9	4229 121 4700	1	Metering diaphragm (1,3)
10	1139 120 0800	1	End cover (1,3) □ 11 - 15
11	1139 120 7300	1	Air valve shaft with lever (1,3)
12	1139 122 3200	1	Torsion spring (1,3)
13	4282 122 9000	1	E-clip (1,3)
14	1139 126 0300	1	Air valve (1,3)
15	1125 122 7402	1	Round head screw (1,3)
16	1120 122 6601	4	Collar screw (1,3)
17	1139 120 9700	1	Pump piston kit (1,3)
18	1139 121 3300	1	Throttle shutter (1,3)
19	1125 122 7403	1	Round head screw (1,3)
20	1139 122 6800	1	Low speed adjustment screw (1,3)
21	1139 122 6700	1	High speed adjustment screw (1,3)
22	4229 121 2701	1	Cap (1,3)
23	1123 121 7800	1	Strainer (1,3)
24	1125 122 4200	1	Ball (1,3)
25	1123 121 2904	1	Choke shutter (1,3)
26	1129 121 4800	1	Pump diaphragm (1,3)
27	1123 129 0905	1	Gasket (1,3)
28	1139 121 0800	1	End cover (1,3)
29	1120 122 7800	1	Oval head screw (1,3)
30	1139 120 7200	1	Choke shaft with lever (1,3)
31	1139 122 3202	1	Torsion spring (1,3)

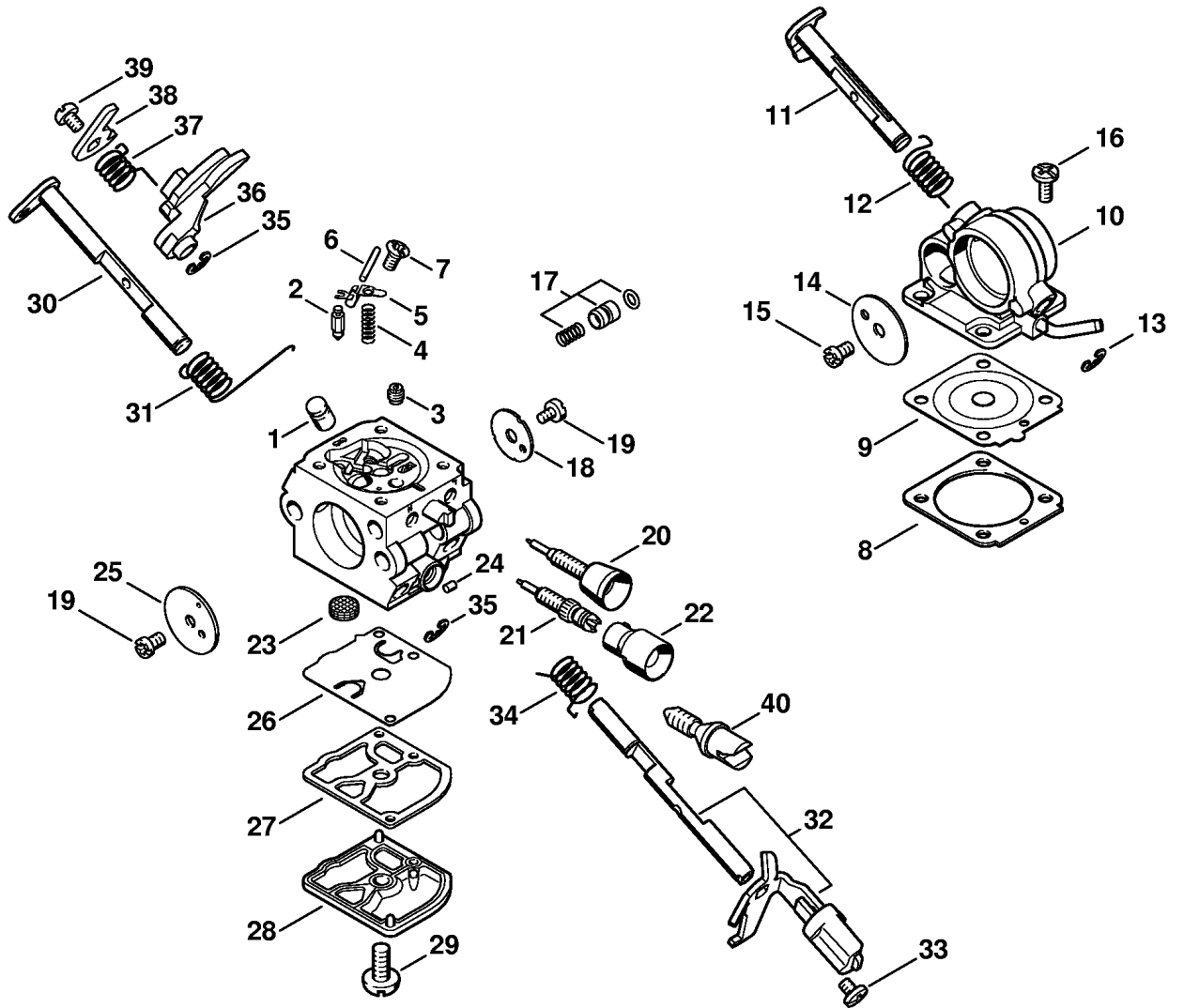
(1) MS 181, (2) MS 181 C-BE, (3) MS 181-Z, (4) MS 181 C-BE Z



533ET008 SC

Reference	Item number	Qty	Description
32	1139 120 7100	1	Throttle shaft with lever (1,3) □ 33
33	1139 122 7101	1	Screw (1,3)
34	1139 122 3201	1	Torsion spring (1,3)
35	4282 122 9000	2	E-clip (1,3)
36	1139 121 3501	1	Throttle lever (1,3)
37	1139 122 3203	1	Torsion spring (1,3)
38	1139 121 3502	1	Throttle lever (1,3)
39	9079 319 0280	1	Flat head screw M3x3.5 (1,3)
40	1139 122 6200	1	Idle speed adjustment screw (1,3)
	4229 007 1060	1	Set of carburetor parts (1,3) □ 8, 9, 26, 27

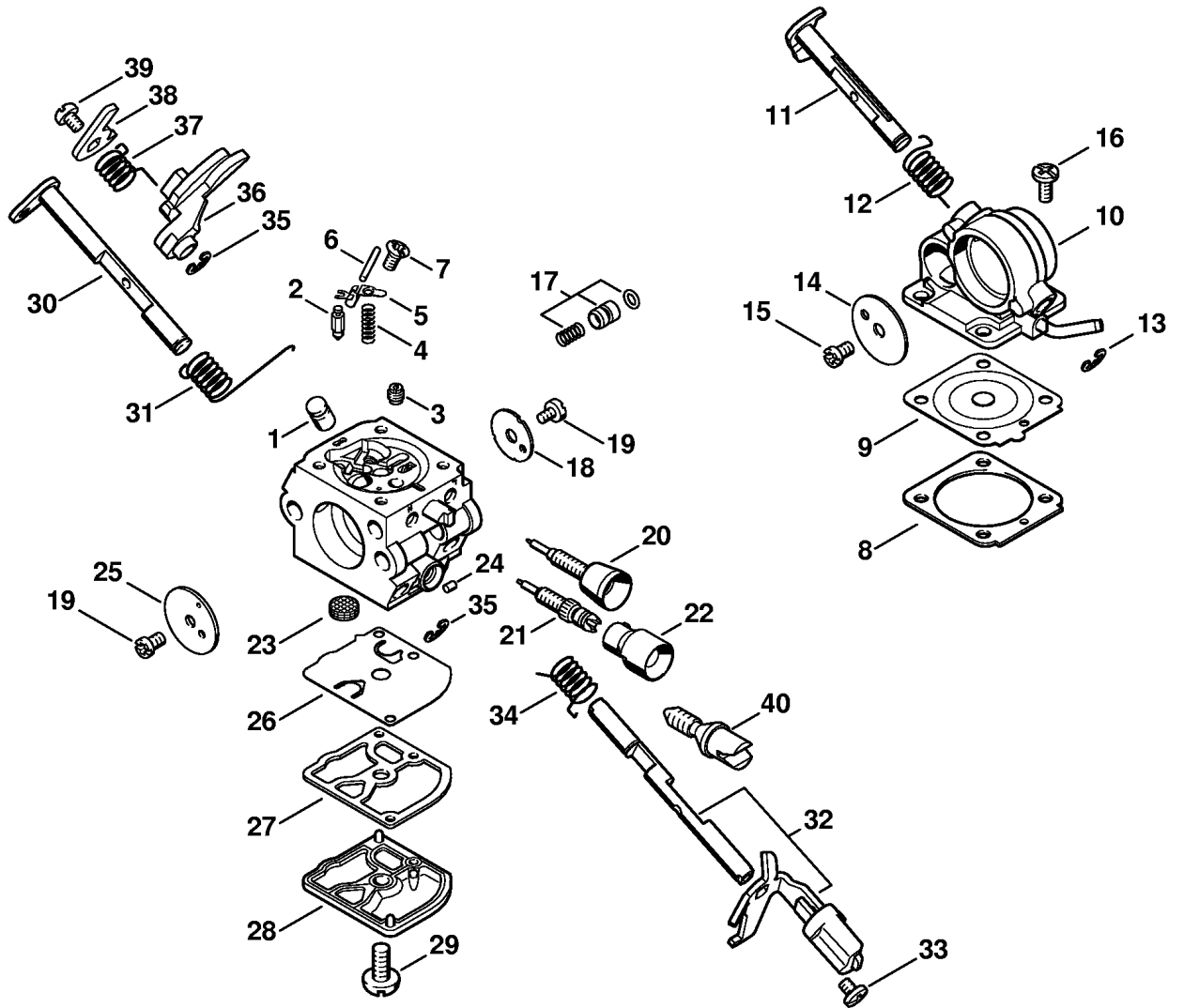
(1) MS 181, (2) MS 181 C-BE, (3) MS 181-Z, (4) MS 181 C-BE Z



5356FT02P SC

Reference	Item number	Qty	Description
	1139 120 0606	1	Carburetor C1Q-S122B (2,4) □ 1 - 40
1	1139 121 5400	1	Valve jet (2,4)
2	4116 121 5100	1	Inlet needle (2,4)
3	1132 121 5603	1	Fixed jet 0.50 (2,4)
4	4128 122 3000	1	Spring (2,4)
5	1125 121 5000	1	Inlet control lever (2,4)
6	1120 121 9200	1	Spindle (2,4)
7	1120 122 6600	1	Collar screw (2,4)
8	4229 129 0901	1	Gasket (2,4)
9	4229 121 4700	1	Metering diaphragm (2,4)
10	1139 120 0801	1	End cover (2,4) □ 11 - 15
11	1139 120 7300	1	Air valve shaft with lever (2,4)
12	1139 122 3200	1	Torsion spring (2,4)
13	4282 122 9000	1	E-clip (2,4)
14	1139 126 0300	1	Air valve (2,4)
15	1125 122 7402	1	Round head screw (2,4)
16	1120 122 6601	4	Collar screw (2,4)
17	1139 120 9700	1	Pump piston kit (2,4)
18	1139 121 3300	1	Throttle shutter (2,4)
19	1125 122 7403	1	Round head screw (2,4)
20	1139 122 6800	1	Low speed adjustment screw (2,4)
21	1139 122 6700	1	High speed adjustment screw (2,4)
22	4229 121 2701	1	Cap (2,4)
23	1123 121 7800	1	Strainer (2,4)
24	1125 122 4200	1	Ball (2,4)
25	1123 121 2904	1	Choke shutter (2,4)
26	1129 121 4800	1	Pump diaphragm (2,4)
27	1123 129 0905	1	Gasket (2,4)
28	1139 121 0800	1	End cover (2,4)
29	1120 122 7800	1	Oval head screw (2,4)
30	1139 120 7200	1	Choke shaft with lever (2,4)
31	1139 122 3202	1	Torsion spring (2,4)

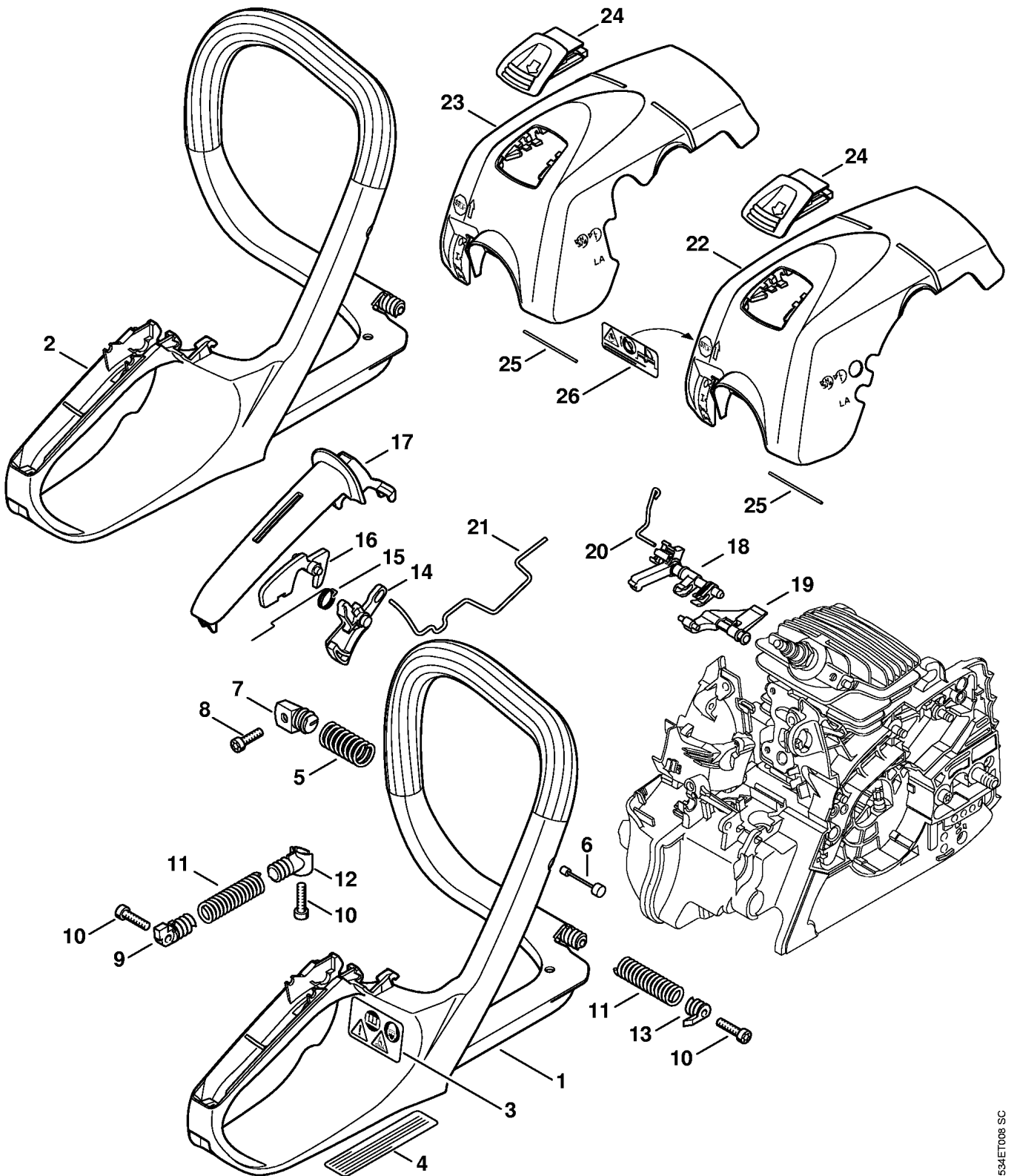
(1) MS 181, (2) MS 181 C-BE, (3) MS 181-Z, (4) MS 181 C-BE Z



5356FT02P SC

Reference	Item number	Qty	Description
32	1139 120 7100	1	Throttle shaft with lever (2,4) □ 33
33	1139 122 7101	1	Screw (2,4)
34	1139 122 3201	1	Torsion spring (2,4)
35	4282 122 9000	2	E-clip (2,4)
36	1139 121 3501	1	Throttle lever (2,4)
37	1139 122 3203	1	Torsion spring (2,4)
38	1139 121 3502	1	Throttle lever (2,4)
39	9079 319 0280	1	Flat head screw M3x3.5 (2,4)
40	1139 122 6200	1	Idle speed adjustment screw (2,4)
	4229 007 1060	1	Set of carburetor parts (2,4) □ 8, 9, 26, 27

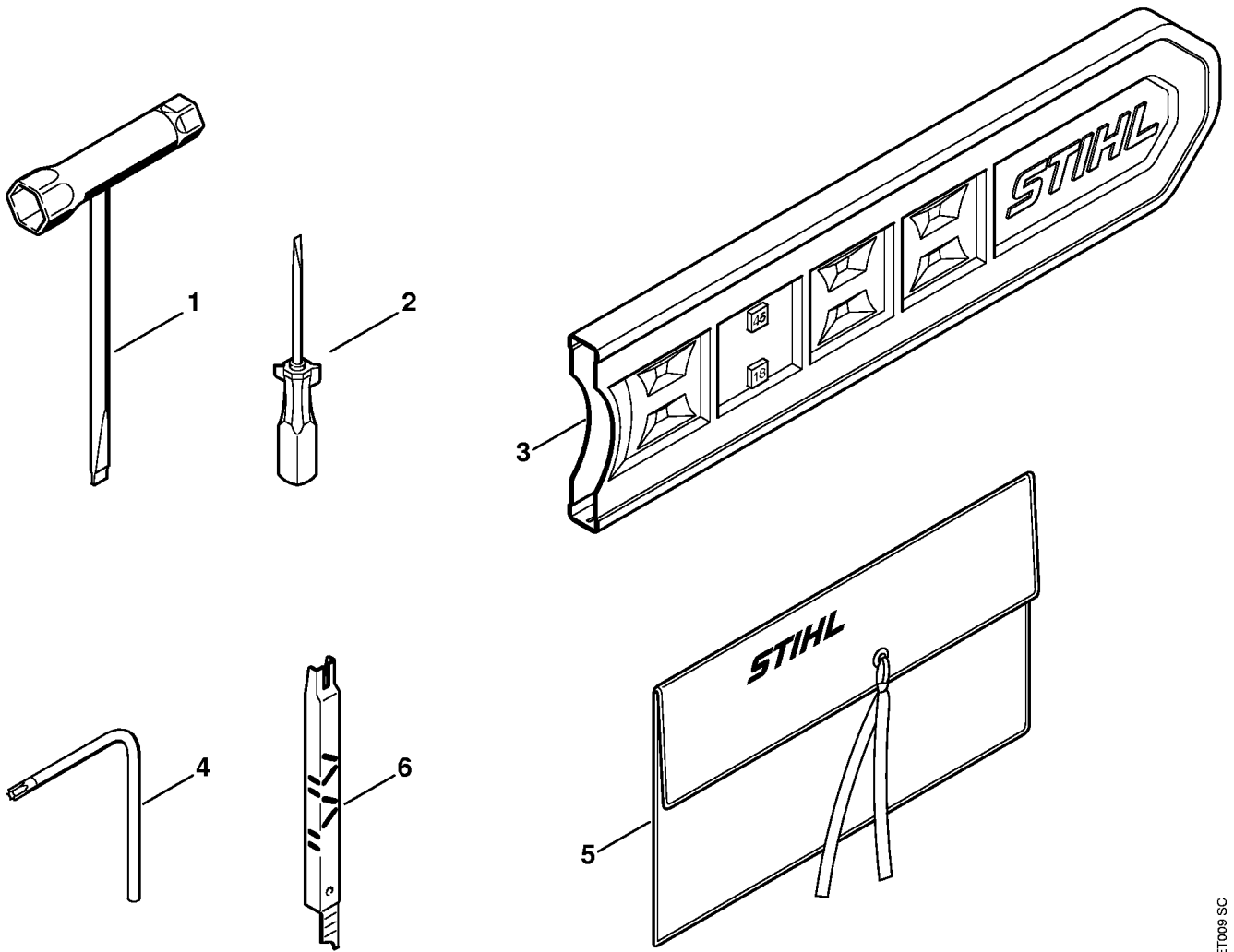
(1) MS 181, (2) MS 181 C-BE, (3) MS 181-Z, (4) MS 181 C-BE Z



534ET008 SC

Reference	Item number	Qty	Description
1	1139 791 4900	1	Handle frame (1,3)
2	1139 791 4901	1	Handle frame (2,4)
3	0000 967 3662	1	Warning pictogram MS
4	0000 967 3500	1	Instruction label (3,4) USA
5	0000 791 3104	1	Spring
6	1139 790 8100	1	Retainer
7	1139 792 2901	1	Bearing plug
8	9075 478 4085	1	Pan head self-tapping screw IS-D5x18
9	1139 792 2902	1	Bearing plug
10	9074 477 4135	3	Pan head self-tapping screw IS-P5x20
11	0000 791 3103	2	Spring
12	1139 792 2903	1	Bearing plug
13	1139 792 2900	1	Bearing plug
14	1139 182 1000	1	Throttle trigger
15	1117 182 4500	1	Torsion spring
16	1139 182 0800	1	Trigger interlock
17	1139 791 0600	1	Handle molding
18	1139 182 0900	1	Switch shaft
19	1139 182 2800	1	Lever
20	1139 185 1900	1	Choke rod
21	1139 182 1500	1	Throttle rod
22	1139 140 4702	1	Shroud (1,3) □ 24, 25
23	1139 140 4703	1	Shroud (2,4) □ 24, 25
24	1139 140 3100	1	Slide □ 25
25	0000 141 4900	1	Spring
26	0000 967 3749	1	Warning pictogram Filler cap (3,4) USA, CDN

(1) MS 181, (2) MS 181 C-BE, (3) MS 181-Z, (4) MS 181 C-BE Z



534ET009 SC

Reference	Item number	Qty	Description
1	0000 890 3400	1	Combination wrench
2	0000 890 2300	1	Screwdriver
3	0000 792 9152	1	Chain scabbard
4	0812 370 1000	1	Screwdriver T27x120x70 (B)
5	0000 891 0801	1	Tool roll (B)
6	1110 893 4000	1	Filing gauge (B)

(1) MS 181, (2) MS 181 C-BE, (3) MS 181-Z, (4) MS 181 C-BE Z